



1" & 2" Aluminum Collection



PRODUCT REFERENCE & RETAIL PRICE GUIDE

Aluminum

PREMIER COLLECTION



CUSTOM MADE BLINDS
WITH LIFT & LOCK™ CORDLESS OPTION

April 15, 2024

Prices subject to change without notice.

Aluminum PREMIER COLLECTION

FEATURES & BENEFITS

1" DELUXE

- Lift & Lock™ cordless
- Spring-tempered 8 gauge slats - available in a full selection of decorative colors and styles.
- Heavy-duty headrail with an integrated valance - adds contemporary appeal.
- Privacy option - blocks unwanted light and increases privacy.

CONTACT CUSTOMER SERVICE FOR COMPLETE SPECS OF EACH MODEL
800-533-9464

1" BASIC

- Spring-tempered 6 gauge slats - offered in a popular variety of colors.
- Heavy-duty standard headrail with cordless lift N lock feature
- Two-slat valance clips standard.

1" VALUE

- Spring-tempered 6 gauge slats - offered in 6 top-selling colors.
- Heavy-duty standard headrail with cordless lift N lock feature.
- Two-slat valance clips standard.

2" MACRO

- Selection of 8 gauge slat colors.
- Heavy-duty low profile standard headrail with cordless lift N lock feature
- Slat valance and clips or channel valance.

ALL STYLES FEATURE

- Spring-tempered slats - resists kinks and dents.
- Dust resistant finish repels dust and makes cleaning easier.
- Lock seam bottom rail provides added durability and resists bowing.
- Cordless Lift N Lock feature.

FINISHED DIMENSIONS

Inside (IB) Mount	
Headrail width	-1/4"
Slat width	-1/2"
Blind height	ordered height

FINISHED DIMENSIONS

Outside (OB) Mount	
Headrail width	+1/4"
Slat width	ordered width
Blind height	ordered height

SHIPPING & HANDLING

\$8.50 handling per unit*
*Minimum \$25.00 per shipment

Oversize (90" or above) \$50.00 each shade with \$80.00 minimum.

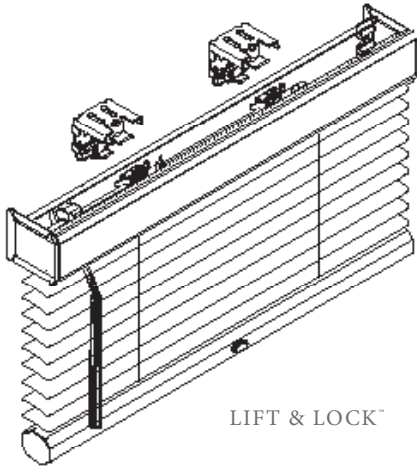
For express shipment, shipments to Alaska, Hawaii and foreign countries, freight will be quoted separately. Next Day and 2nd Day Air options are available - actual freight will be applied.

Inspect all shipments immediately and carefully. Please report damages and shortages on the delivery receipt and notify Oxford House customer service within 48 hours. No freight damage claim will be accepted after 10 days from shipping.

COLOR CHART

COLOR	D8 DELUXE Valance Integrated	B6 BASIC 1x1	V6 VALUE 1x1	M2 MACRO 2" Low Profile
001 OPAL	.	.		
002 ALABASTER
018 QUARTZ	.	.		.
048 BLACK	.	.		.
064 CHAR BROWN
065 BRUSHED ALUMINUM	.	.	.	
110 SNOW GLOSS
125 PURE WHITE
127 PLASTER	.	.	.	
173 EGGSHELL	.	.		.
180 CLAY	.	.		
186 BEIGE	.	.		.
190 BRIGHT ALUMINUM	.	.		.
203 PUMICE	.			
205 FAWN	.	.		.
254 CHAR BROWN MATTE	.			
262 BRUSHED NICKEL TEXTURE	.			
268 TUSK	.	.		
269 BISQUE	.	.		.
270 LINEN	.	.		.
276 MERCURY	.	.		
315 BISCUIT	.			
318 COBBLESTONE	.	.		
350 VANILLA	.	.		.
385 EVENING SNOW	.			
413 Forest	.	.		
402 PARCHMENT	.			
405 PEWTER GRAY	.	.		
711 KAOLIN PEARL	.	.		
748 GRAYSTONE	.	.		.
820 SIERRA	.	.		
830 CANVAS	.	.		.
885 CHALK WHITE	.	.		.
913 ASH	.			
914 LIGHT CAFFE	.			
917 RIVER LOG	.			
919 SPRIG	.			
973 ANTIQUE	.	.		.
974 PEARL	.	.		.
981 TALC	.	.		
983 GRAPHITE	.			
048P BLACK PERFORATED	.			
065P BRUSHED ALUMINUM PERFORATED	.			
110P SNOW GLOSS PERFORATED	.			

DELUXE - VALANCE INTEGRATED BLIND



LIFT & LOCK™

D8 DELUXE

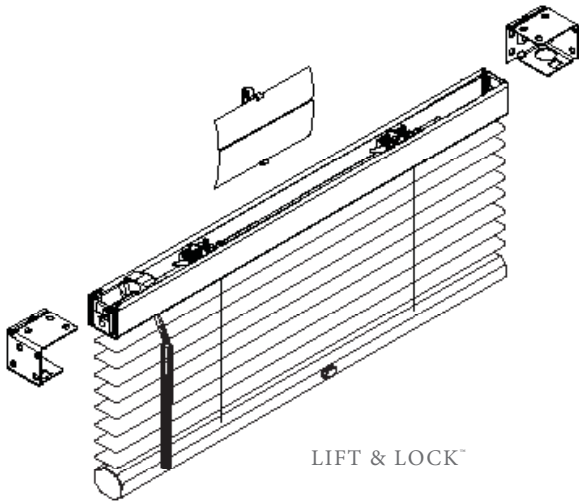
- LIFT & LOCK™ CORDLESS
- VALANCE INTEGRATED SYSTEM
- 8 GAUGE 1" SLAT
- PRIVACY OR STANDARD ROUTE
- 18MM LADDER SPACING PRIVACY
- 22MM LADDER SPACING STANDARD
- HIDDEN INSTALLATION BRACKETS
- COLOR MATCHED END CAPS
- LOCK SEAM CLOSED BOTTOMRAIL
- AVAILABLE IN 44 COLORS



CORDLESS

D8		DELUXE 1 INCH CORDLESS BLIND STANDARD																	
Width	12"	24"	28"	32"	36"	40"	44"	48"	52"	57"	62"	67"	72"	82"	92"	102"	112"	120"	
Height To	275	280	286	296	301	310	318	323	331	344	362	371	379	421	440	459	485	508	
48"	280	285	289	299	305	317	323	331	338	350	371	379	391	431	453	474	503	525	
54"	285	289	298	304	315	322	331	342	348	360	379	393	400	445	466	489	520	545	
60"	286	296	301	307	318	329	338	348	354	365	391	400	413	455	480	504	533	561	
66"	292	298	304	315	322	333	346	352	362	376	397	410	422	466	490	518	551	578	
72"	298	304	310	320	329	342	352	362	371	384	409	422	433	480	508	533	569	602	
78"	299	305	317	323	333	348	360	368	378	393	416	431	445	490	520	549	591	619	
84"	301	310	318	328	338	352	364	374	384	398	424	440	453	503	532	561	601	638	
90"	310	320	328	338	348	364	376	388	397	413	439	455	468	518	551	585	624	658	
96"	315	322	331	342	352	368	383	395	407	421	447	463	477	530	569	598	639	676	
102"	318	328	336	346	360	374	388	398	413	429	458	474	489	540	580	615	657	691	
108"	320	329	342	350	364	379	395	407	421	437	463	484	501	558	595	628	670	708	
114"	322	331	344	352	365	381	397	409	422	437	466	485	503	561	596	630	672	712	
120"	323	333	346	354	368	383	398	410	422	440	468	489	506	569	604	643	688	728	
126"	328	335	348	355	371	384	400	415	429	447	477	501	523	580	619	658	705	747	

BASIC - 1x1" BLIND



B6 BASIC

- LIFT & LOCK™ CORDLESS
- 1X1 RAIL SYSTEM
- 6 GAUGE 1" SLAT
- 22MM LADDER SPACING
- BOX BRACKETS & METAL END STIFFENER
- 2 SLAT VALANCE & CLIPS
- LOCK SEAM BOTTOMRAIL
- AVAILABLE IN 30 COLORS

V6 VALUE

- SAME AS ABOVE WITH
- 23MM LADDER SPACING
- AVAILABLE IN 6 COLORS

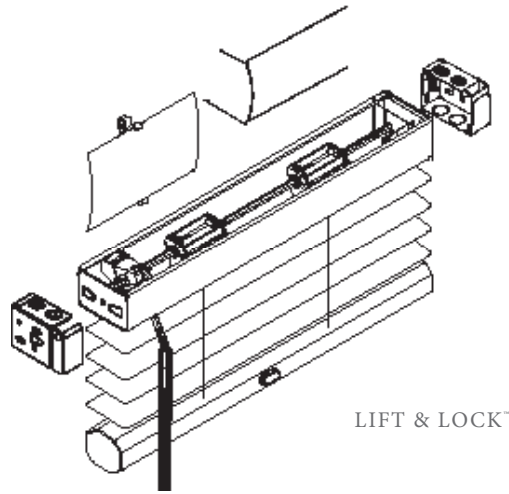


CORDLESS

B6	BASIC 6 1 INCH CORDLESS BLIND																	
Width	12"	24"	28"	32"	36"	40"	44"	48"	52"	57"	62"	67"	72"	82"	92"	102"	112"	120"
Height To																		
42"	208	227	234	241	251	273	280	286	292	304	329	336	355	378	410	452	487	518
48"	211	230	239	246	254	285	292	298	304	317	342	350	371	393	428	468	506	537
54"	212	235	243	251	261	286	296	301	307	320	348	355	376	400	437	477	518	551
60"	214	239	249	254	267	292	299	305	317	328	354	364	384	410	447	490	533	567
66"	224	249	256	265	275	304	310	320	328	342	368	379	400	428	466	509	552	591
72"	225	253	258	270	280	307	318	323	333	348	378	391	410	439	477	525	569	612
78"	229	256	267	275	289	317	323	333	344	355	388	398	422	452	490	537	585	628
84"	230	258	272	280	296	322	331	342	350	364	397	409	431	461	504	552	601	644
90"	230	265	273	285	299	328	336	348	355	371	405	416	440	474	514	567	615	662
96"	234	267	277	286	301	331	344	352	364	378	410	424	452	484	527	578	625	676
102"	235	270	280	292	305	336	348	360	371	384	421	433	459	490	537	591	643	691
108"	239	273	285	298	310	344	354	364	378	395	428	442	468	504	551	602	658	707
114"	239	275	289	301	318	348	360	371	383	400	437	453	477	513	561	617	670	723
120"	241	280	292	305	322	352	365	378	391	409	442	459	487	525	577	628	688	737
126"	243	283	298	307	328	360	371	384	397	415	453	468	498	533	588	643	702	754

V6	VALUE 1 INCH CORDLESS BLIND																	
Width	12"	24"	28"	32"	36"	40"	44"	48"	52"	57"	62"	67"	72"	82"	92"	102"	112"	120"
42"	208	220	224	225	234	256	261	267	270	277	304	310	328	346	378	410	442	471
48"	208	222	224	229	239	261	270	273	280	289	315	320	338	359	388	426	458	485
54"	211	224	227	234	244	267	272	275	280	291	317	322	344	360	395	429	466	492
60"	212	225	229	235	246	270	275	280	285	296	320	329	350	368	400	439	476	503
66"	214	230	239	246	254	277	285	291	298	305	333	342	360	381	413	453	490	520
72"	218	234	241	249	258	283	291	296	301	312	338	346	365	391	424	461	501	537
78"	220	241	249	254	265	289	298	301	307	318	346	354	378	398	433	474	514	551
84"	222	244	251	256	268	292	299	305	312	322	352	360	383	405	440	484	523	561
90"	224	246	253	258	270	298	304	310	317	328	355	364	391	410	448	490	533	570
96"	224	246	254	261	272	299	307	315	320	333	362	371	395	416	455	498	540	580
102"	225	249	256	267	275	304	310	318	323	338	365	378	400	426	466	506	551	591
108"	225	251	258	268	277	305	315	322	329	344	371	383	407	433	472	516	561	602
114"	227	253	261	270	283	310	318	328	335	348	379	391	413	440	480	525	570	614
120"	227	256	267	273	285	315	322	333	342	352	383	395	416	447	489	533	580	624
126"	229	258	268	275	291	317	328	335	346	359	391	400	426	453	494	540	591	633

MACRO - 2" BLIND



M2 MACRO 2"

- LIFT & LOCK™ CORDLESS
- 2" LOW PROFILE RAIL SYSTEM
- 8 GAUGE 2" SLAT
- PRIVACY OR TRADITIONAL ROUTE
- 42MM LADDER SPACING
- SLAT OR CHANNEL VALANCE
- CHANNEL VALANCE
- WAND TILT OR CORD TILT
- BOX BRACKETS & END STIFFENER
- AVAILABLE IN 18 COLORS



CORDLESS SURCHARGE OPTION

Lift & Lock™ Price as standard blind and add \$37 Dealer Net

M2	MACRO 2 INCH BLIND STANDARD																		
Width	12"	24"	28"	32"	36"	40"	44"	48"	52"	57"	62"	67"	72"	82"	92"	102"	112"	120"	
42"	273	304	315	322	336	346	355	374	383	397	409	421	445	489	513	564	591	641	
48"	275	307	318	329	344	352	364	379	393	407	421	431	459	504	530	580	610	662	
54"	280	315	323	336	350	362	374	393	400	416	431	445	471	520	546	598	625	686	
60"	283	318	329	342	354	365	378	397	409	424	439	455	484	530	556	614	641	700	
66"	289	328	338	350	365	379	393	410	424	440	455	471	501	551	578	638	665	726	
72"	292	329	344	354	374	384	397	416	431	447	463	480	508	558	593	648	681	739	
78"	301	342	354	368	384	398	410	433	445	463	480	498	527	580	614	672	707	769	
84"	304	346	360	374	393	407	421	440	455	474	490	508	537	595	628	689	725	790	
90"	305	350	364	378	397	410	424	447	461	484	501	518	549	604	641	705	737	804	
96"	310	355	371	383	403	410	424	447	463	484	503	520	552	612	646	712	750	818	
102"	317	362	378	391	410	416	431	458	471	494	513	532	564	624	663	728	769	840	
108"	320	368	384	398	419	422	439	463	480	503	523	545	577	638	679	742	785	853	
114"	326	376	391	405	426	429	447	474	489	513	532	552	588	650	691	760	802	875	
120"	331	381	398	413	435	439	455	484	501	523	545	564	598	663	708	778	819	894	
126"	336	388	405	421	442	445	463	489	508	532	554	577	614	679	725	795	840	914	

CHILD SAFETY, CARE & WARRANTY

CHILD SAFETY

Our Aluminum Premier Collection is designed with child safety as a priority. To reduce the risk of strangulation our fabrication methods incorporate features to comply with the current ANSI cord safety standard. The Lift & Lock™ operating system is standard on all Aluminum Premier Collection is Best For Kids™ certified.



LIMITED LIFETIME WARRANTY

ALUMINUM PREMIER BLINDS carry a limited lifetime warranty that covers the blinds for as long as the original retail purchaser owns them, provided that the blinds were properly installed. It's your

CARE & CLEANING

ROUTINE CLEANING

Aluminum Premier Blinds are easy to care for. Occasional dusting with a feather duster or low suction vacuuming with a brush attachment is all that is needed to keep the blind looking new. They may also be gently cleaned with a soft cloth using an over-the-counter blind cleaner.

MORE THOROUGH CLEANING

Aluminum Premier Blinds may be taken down and dipped in the bathtub using a mild detergent.

PROFESSIONAL CLEANING

Aluminum Premier Blinds may be ultrasonically cleaned for superior results.



1" or 2" ALUMINUM BLIND ORDER FORM

DATE _____ P.O. NO. _____
 SIDEMARK _____

CHARGE TO:
 NAME _____
 ADDRESS _____
 CITY _____ STATE _____ ZIP _____

SHIP TO:

 PHONE () - _____

SPECIAL INSTRUCTIONS:

ORDER # _____
 CUSTOMER P.O. # _____
 PAGE _____ OF _____

1" Aluminum - only available with a wand fit.

LINE	QTY	BY OBSIDE	WIDTH	LENGTH	CONTROL		Wand? For N		FABRIC INFORMATION		Hole-boards	OPTIONS, IF ANY
					TM	LK	Y	N	COLOR/NAME	COLOR #		
1												
2												
3												
4												
5												
6												
7												
8												
9												
10												

ORDERED BY _____

PLEASE FAX 765-884-3274 OR EMAIL sales@oxford-house.com

Readers will assume all responsibility for orders placed via phone.
 Custom orders cannot be cancelled once they are in production.