

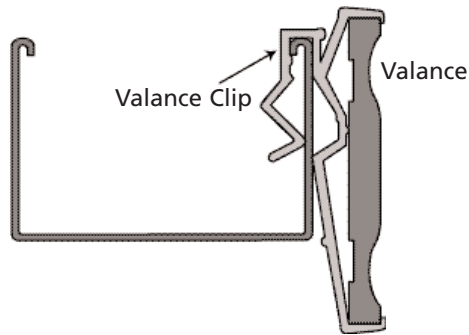
VALANCE ATTACHMENT

Your blinds will be shipped with either valance clips or Dual-Lock fasteners for attaching the valance.

IF USING VALANCE CLIPS:

Install one clip on each end and space any others evenly in between, no more than 48" apart. **Important:** Install the valance clips *before* mounting the headrail.

Then, after mounting the headrail, attach the valance. Simply snap the valance into the valance clips.

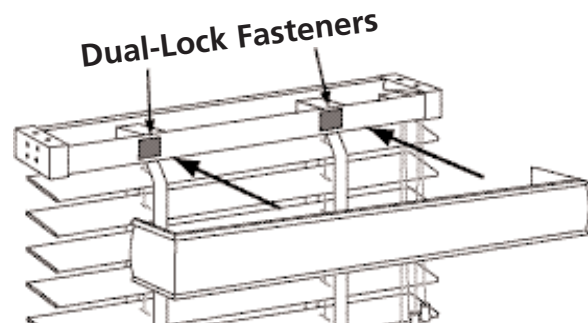


IF USING DUAL-LOCK FASTENERS:

One side of a Dual-Lock set is already installed on the headrail.

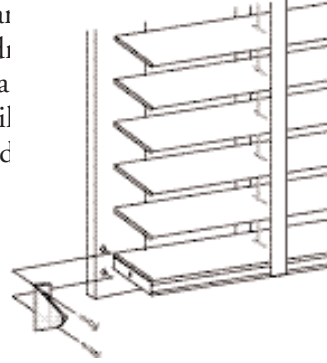
Peel the release liner off the remaining side of the Dual-Lock set and position the valance over the headrail. Press the valance firmly against the Dual-Lock and hold for 10 seconds.

If repositioning of the valance is necessary, wait 24 hours if possible. The Dual-lock adhesive reaches 90% bond strength after 1 hour and 100% after 24 hours.



HOLD DOWN BRACKETS

Made of molded clear plastic. Fits into predrilled hole in the bottom rail to secure the bottom rail place. (Generally used on door shades.)



CARE AND CLEANING

DUSTING

Like all wood furnishings, wood blinds should be dusted regularly to keep them looking new. Use a soft, clean cloth, dusting mitt, or chemically treated dust cloth.

Lower the blind to its full length, tilt the slats almost all the way down and dust. Then tilt the slats almost all the way up and dust. (Not fully closing the slats allows dusting where the slats overlap.)

VACUUMING

Blinds may also be cleaned by vacuuming them with the brush attachment of a vacuum cleaner, tilting the blinds open and closed as just described.

DAMP CLEANING

Another way to clean blinds is simply by wiping them with a soft, damp rag.

TREATING STAINED BLINDS

Like wood furniture, stained blinds should be treated periodically, with lemon oil or other wood preservative to protect their finish and enhance their luster.

Important: Kensington does not recommend ultrasonic cleaning of wood blinds.

CHILD SAFETY

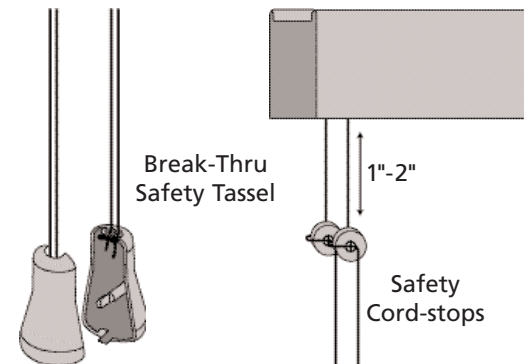
An important consideration in any blind installation is child safety. To prevent serious injuries or strangulations, all cords must be kept out of the reach of children. Cord-stops or other methods of keeping the cords from hanging within reach of a child should be utilized.

SAFETY TASSEL

To further help prevent injury, all Kensington blinds are available with optional patented Break-Thru® Safety Tassels. The Break-Thru Safety Tassel is designed to break apart to protect children and pets.

SAFETY CORD-STOPS

To reduce the chance of children forming a hazardous loop by pulling out the inner cords (lift cords) of wood blinds, all Kensington blinds include safety cord-stops. The cord-stops are knotted to each lift cord 1" to 2" below the headrail cordlock to prevent the lift cords from traveling backwards through the cordlock. Some blinds may come with a decorative tassel placed where you see the safety cord-stops. This serves the same purpose.



! WARNING:

Young children can become entangled and strangle in cords. Keep all cords out of the reach of children.

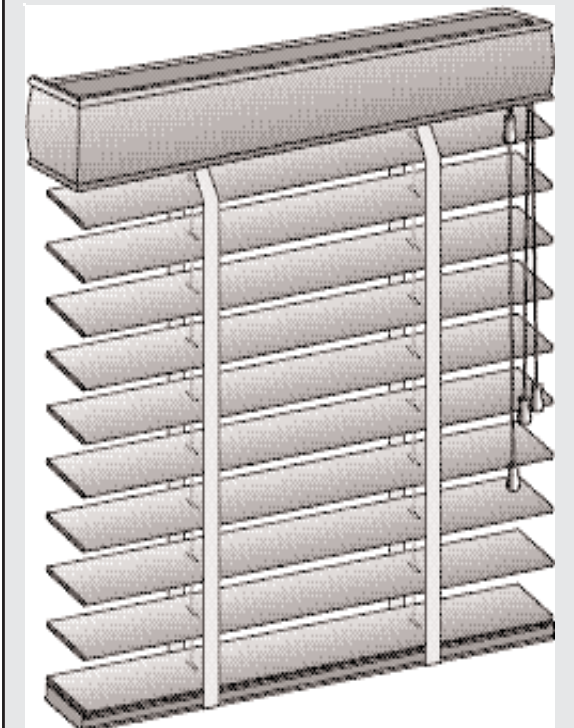
Manufactured By  **KENSINGTON**
WINDOW EXPRESSIONS™
Art for windows

KENSINGTON

WINDOW EXPRESSIONS™

HORIZONTAL BLINDS

INSTALLATION INSTRUCTIONS



MOUNTING BRACKETS

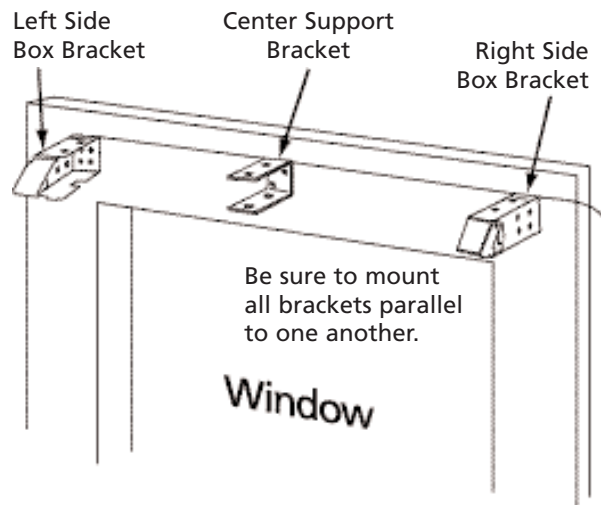
The box style mounting brackets are designed to work in all possible mounting applications. The diagram on the next page indicates which screw holes to use for each option.

Mount brackets as shown below. Always use all brackets supplied. Blinds over 48" wide must have one support bracket, and blinds over 72" wide must have two. Space the support brackets as evenly as possible between the two end brackets. There should be no more than 48" between any two brackets.

Important: Avoid positioning support brackets in line with blind ladders or tapes.

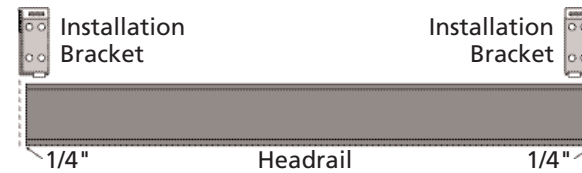
Blinds over 114" in height and multiple blinds on one headrail over 96" wide require an additional support bracket positioned 7" from the cordlock end of the headrail.

Use two screws to attach each support bracket. Locate the screws diagonally. Make sure the support bracket's top and back surfaces are aligned with the top and back surfaces of the two installation brackets.

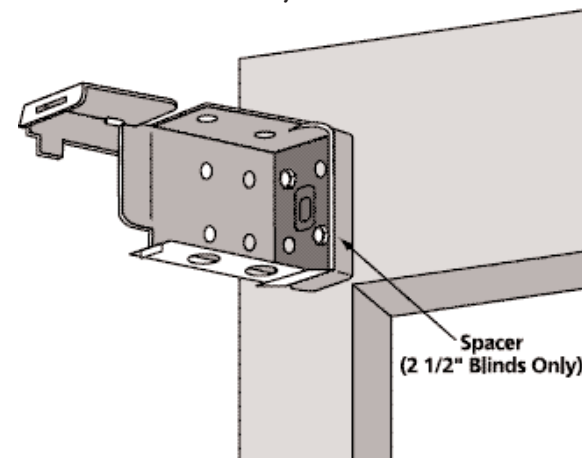


OUTSIDE MOUNT

First, mark where to attach the two installation brackets. Hold the blind up to the window in the position where you want it installed. With the blind centered and level, mark the surface 1/4" past each end of the headrail.

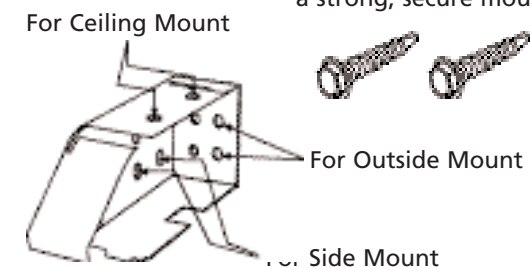


Attach the installation brackets to the wall or molding with two screws. Position the screws diagonally, as shown. Note that spacers are used with 2 1/2" blinds only.



SCREW HOLES

Always use at least two screws per bracket to ensure a strong, secure mount.



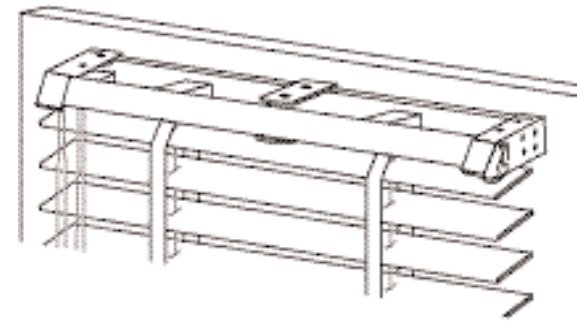
BRACKETS REQUIRED

All blinds require two end brackets.

All 2 on 1s receive 1 support bracket. All 3 on 1s receive 2 support brackets. Center support brackets for 2 on 1s and 3 on 1s should be placed between panels.

| Blind Width | # of Center Support Brackets |
|-------------|------------------------------|
| Over 48" | 1 |
| Over 72" | 2 |

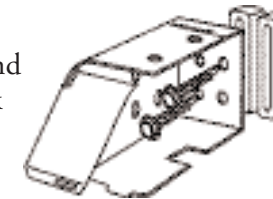
Position the headrail in the box brackets as shown. Swing the covers down and snap them closed. **Important:** Attach the valance clips before installing the headrail. See the "Valance Attachment" section on the next page.



2 1/2" BLIND INSTALLATION NOTE

SPACER BLOCKS

The slat on a 2 1/2" blind extends beyond the back of the headrail.



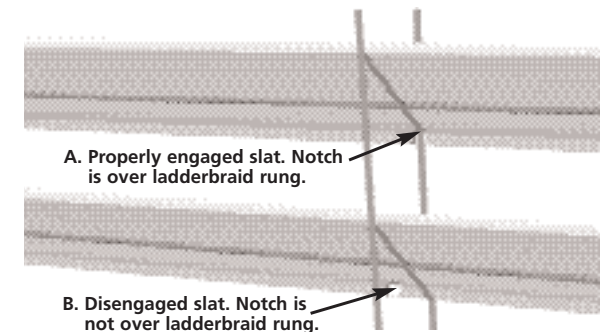
Spacer blocks must be used for all outside mount applications. Use two (2) spacer blocks for each installation bracket.

For inside mount applications there must be a minimum of 1/4" between the back of the headrail and any obstruction.

ROUTLESS BLIND/PRIVACY SLAT INSTALLATION NOTE

Due to the unique stringing method of Routless Blinds, the slats may become disengaged during shipping, installation, and aggressive use. To ensure proper operation of the Routless/Privacy Slat Blind it is important to check the engagement of the slats on the ladderbraided. The notch in the slat should align with the ladderbraided.

Slat A is properly engaged while slat B has disengaged. To fix a disengaged slat, simply move the slat by hand until the notch is properly seated on the ladderbraided.



ROUTLESS BLIND/PRIVACY SLAT OPERATION INSTRUCTIONS

For optimal performance, Routless Blinds should only be raised or lowered when the slats are in the horizontal position.



TILT WAND ATTACHMENT

1. Attach wand tip over the end of the tilter hook.
2. Slide clear cover down to hold the wand in place.

