



# Wood and Faux Wood Collection



## Product Reference & Price Guide

Feb. 26, 2018

Prices subject to change without notice.



# TERMS OF SALE & FREIGHT

## PRICE QUOTATION

---

All prices subject to change without notice.

To ensure order accuracy, please use the Horizontal blind order form. The blank order form can be found at the back of the price book. Make copies to create additional blank order forms.

## EMAIL OR FAX ORDERS

---

Dealers are able to submit orders by completing the order form, and submitting it to:

Sales@oxford-house.com or fax to 765-884-3274

## CANCELLATION OR CHANGE ORDER

---

IMPORTANT! Due to the custom nature of our products, we cannot accept changes or cancellations after orders have been put into production.

## LEAD TIME

---

Typically, orders (less than 15 units) are manufactured and shipped within 7-10 business days. All orders are subject to inventory availability. Orders placed after 2:00 p.m. EST are considered as next day business.

Shipping date will be confirmed after receipt of order and is subject to inventory availability, total units, production and scheduling considerations.

## CONTRACT QUOTE POLICY

---

Commercial quotes are available for 20 units or more of the same product.

Quotes are valid for 30 days.

Any change, including but not limited to size, color, controls, quantity, ship to location, ship date or number of shipment, may result in a change in price.

A deposit of 50% is required for all quotes of \$5,000.00 or more.

## ORDER TRACKING & ORDER STATUS

---

Order confirmations are sent via email within 24 hours of placing order. Please make sure you have your email on file with us. To track your order or check the status of your order, please contact customer service and provide them with the work order number.

## STANDARD SHIPPING & HANDLING, DELIVERY & FREIGHT POLICIES

---

\$ 4.25 handling per unit shipping to commercial addresses

\$5.25 handling per unit shipping to residential addresses.

Mid-Size shipping (60" up to 90" ) \$6.50 per order

Oversize (90" up to 116") \$80.00 per order.

Common Carrier shipping for items 116" and over, please contact customer service for details.

For express shipment, shipment to Alaska, Hawaii and foreign countries, freight will be quoted separately. Freight collect orders and using a preferred carrier is optional.

Next Day, 2nd Day Air and 3 Day select shipping options are available - actual freight will be applied.

## FREIGHT DAMAGE & SHORTAGES

---

Please inspect all shipments immediately and carefully. Please report damages and shortages on the delivery receipt and notify Oxford House customer service within 48 hours. No freight damage claim will be accepted after 10 days from shipping.

## PROGRAM SUMMARY

The finest quality wood blinds available. The classic choice for adding the warmth and beauty of wood to any room.

### WHAT'S INCLUDED:

- Available in 2" and 2 1/2" slat sizes
- 3 1/2" Colonial Valance
- Traditional routed slats with braided ladders
- Durable 2"x2" steel headrail
- Premium cord tilt with color coordinated cord and tassels

### BLIND MOTORIZATION- TILT ONLY

- Control your shades with the touch of a button
- Perfect for hard-to-reach windows
- Safer for children and pets — eliminates dangling cords

### ROUTLESS PRIVACY FEATURES

- Optional on Wood Collection Blinds.  
This feature eliminates cord holes in the slats, preventing annoying "sunspots" and ensuring privacy.

### HARDWARE SYSTEM

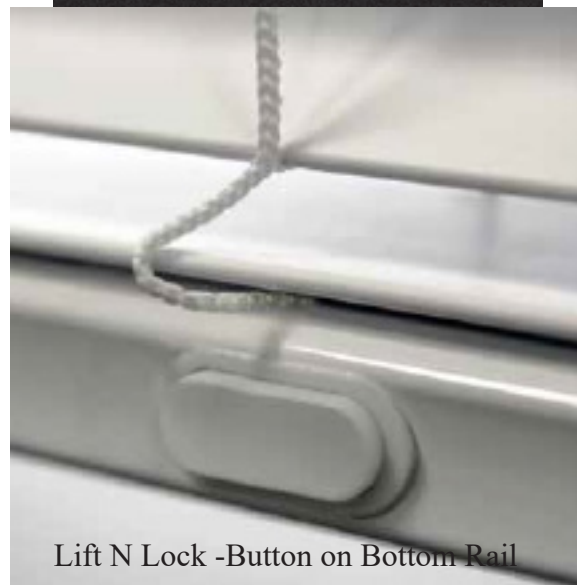
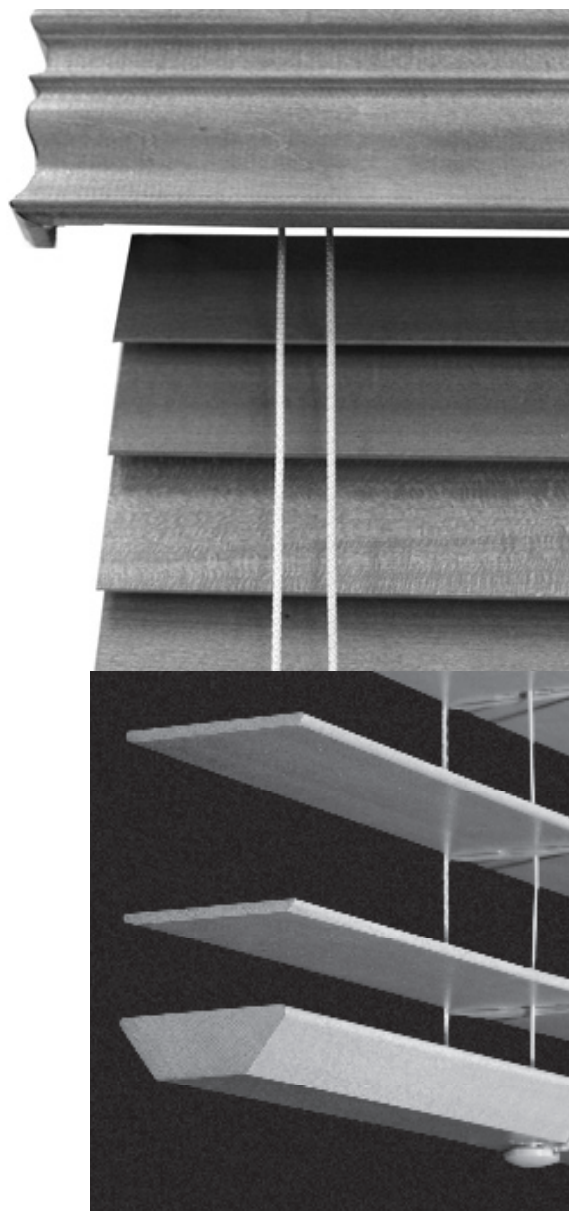
- Heavy duty components for smooth operation, higher load capacity, and enduring performance.
- High strength resin supports to handle the heaviest loads.
- Heavy duty steel headrail for durability and corrosion resistance.
- Crash-proof cordlock to hold slats securely in any position.
- Top-hinged end bracket cover for easy installation and removal.

### FASHION TAPES AND DECORATIVE TRIMS

- Customize your blinds with Fashion Tapes and Decorative Trims

### NOW AVAILABLE -LIFT N LOCK CORDLESS

- Safer for children and pets — eliminates dangling cords



Lift N Lock -Button on Bottom Rail

PRICE GROUP <b>A1</b>		2-Inch Traditional Routed Slats With Braided Ladder													
		12	24	28	32	36	42	48	54	60	66	72	78	84	96
LENGTH TO:	30	226	179	204	230	255	277	298	337	395	410	424	512	543	609
	36	255	206	233	257	281	308	332	386	449	468	480	563	606	677
	42	274	228	255	284	310	342	371	434	500	514	543	633	684	764
	48	294	247	277	308	340	376	410	478	548	580	609	701	767	864
	54	320	272	303	337	369	412	449	526	594	645	682	786	847	951
	60	349	298	332	366	400	444	490	577	643	701	742	854	922	1033
	66	376	325	359	395	429	478	538	631	706	769	817	931	1002	1164
	72	408	354	391	424	461	519	585	684	769	815	866	990	1067	1203
	78	417	366	400	437	473	534	602	703	791	842	927	1055	1142	1283
	84	449	395	432	468	505	572	648	742	805	900	997	1128	1218	1371
	90	478	422	458	497	534	606	684	783	854	958	1055	1186	1298	1460
	96	492	437	475	512	548	633	716	825	910	1021	1123	1271	1375	1545
	102	514	458	500	541	582	672	762	876	965	1082	1193	1349	1460	1642
	108	538	480	524	568	611	706	800	922	1014	1140	1254	1412	1531	1722
	114	560	502	548	597	645	745	844	968	1070	1198	1324	1489	1611	1812
	120	585	526	575	623	672	779	885	1016	1101	1254	1380	1555	1686	1899
126	604	543	599	655	711	817	929	1060	1172	1317	1451	1630	1761	1991	

PRICE GROUP <b>A2</b>		2-Inch With Optional Routless Privacy Slats or Cloth Fashion Tapes													
		12"	24"	28"	32"	36"	42"	48"	54"	60"	66"	72"	78"	84"	96"
LENGTH TO:	30"	274	220	249	279	311	338	365	412	484	501	519	627	664	743
	36"	311	254	284	314	343	378	407	472	548	573	588	686	741	827
	42"	336	279	311	346	380	420	454	531	610	627	664	773	835	933
	48"	361	301	338	378	417	459	501	585	669	709	743	857	936	1054
	54"	393	333	370	412	452	504	548	644	726	788	832	961	1035	1161
	60"	427	365	407	449	489	546	598	706	785	857	906	1042	1126	1262
	66"	459	398	440	482	526	585	657	770	864	938	998	1138	1225	1422
	72"	496	435	477	519	563	635	714	837	938	998	1059	1207	1304	1469
	78"	511	447	489	536	580	652	736	859	965	1030	1131	1291	1395	1568
	84"	548	482	526	570	615	699	790	906	985	1101	1217	1378	1489	1674
	90"	583	516	563	607	652	741	837	958	1042	1170	1289	1449	1585	1785
	96"	602	536	580	627	672	773	874	1007	1111	1249	1370	1553	1682	1889
	102"	627	558	610	662	711	822	931	1072	1180	1324	1459	1647	1783	2007
	108"	657	588	640	694	746	862	978	1126	1240	1393	1533	1726	1872	2104
	114"	684	612	669	731	788	911	1030	1183	1309	1464	1617	1820	1968	2215
	120"	716	644	704	763	822	953	1082	1240	1346	1533	1689	1899	2062	2319
126"	736	664	733	800	869	1000	1136	1294	1432	1607	1770	1993	2153	2432	

Multiple Blinds on one headrail - Price as individual shades and add together.

All sizes to the right of the bold black line must be made on a Two-on-One or Three-on-One headrail.

Lift N Lock Cordless\* Option Dealer Net Cost:  
 Width up to 48" = \$23.00  
 Width of 48" and over= \$30.00  
 \*Not Available with Routless Option

Motorization Dealer Net Cost  
 RTS Motor: \$150.00  
 See page 8 for accessories and specifications)

PRICE GROUP  
**B1**

**2 1/2-Inch Traditional Routed Slats**  
With braided ladder

LENGTH TO:

	12"	24"	28"	32"	36"	42"	48"	54"	60"	66"	72"	78"	84"	96"
30"	267	212	242	272	299	326	353	400	469	484	501	605	642	719
36"	299	244	274	304	333	365	393	457	528	553	568	664	716	800
42"	326	269	301	333	368	405	440	511	590	607	640	746	807	901
48"	348	291	326	365	402	444	484	565	647	686	719	827	904	1020
54"	378	321	358	398	435	486	528	622	701	761	805	928	1000	1121
60"	412	353	393	432	474	526	578	682	758	827	877	1007	1086	1220
66"	444	383	425	467	509	565	635	743	835	906	965	1099	1185	1373
72"	482	417	459	501	543	612	691	807	909	963	1022	1168	1262	1420
78"	494	432	474	516	561	630	711	830	933	995	1094	1247	1348	1514
84"	531	467	509	551	595	677	763	874	951	1064	1175	1331	1440	1617
90"	563	499	543	588	630	716	807	926	1007	1131	1247	1400	1533	1724
96"	583	516	561	605	649	746	844	973	1074	1207	1326	1501	1625	1825
102"	607	541	588	640	686	795	899	1035	1141	1277	1410	1590	1724	1941
108"	635	568	617	669	721	832	946	1086	1198	1346	1482	1669	1807	2035
114"	662	593	647	706	761	879	995	1143	1264	1415	1563	1761	1904	2138
120"	691	622	679	736	795	921	1044	1200	1301	1482	1630	1837	1993	2242
126"	714	642	709	773	840	965	1096	1252	1383	1553	1711	1926	2082	2351

PRICE GROUP  
**B2**

**2 1/2-Inch with Optional Routless Privacy Slats**

LENGTH TO:

	12"	24"	28"	32"	36"	42"	48"	54"	60"	66"	72"	78"	84"	96"
30"	319	254	289	326	361	393	425	479	561	580	600	726	770	862
36"	361	294	328	365	400	437	472	548	635	664	682	798	859	961
42"	390	323	363	402	442	486	526	615	709	728	770	896	968	1082
48"	417	351	393	437	482	533	580	679	775	822	862	993	1086	1225
54"	454	385	430	477	523	585	635	748	842	914	965	1114	1200	1346
60"	496	425	472	521	568	632	694	820	911	993	1052	1210	1304	1464
66"	533	459	509	561	610	679	763	894	1003	1089	1158	1319	1422	1649
72"	575	504	553	602	652	736	830	970	1089	1156	1227	1400	1514	1704
78"	593	519	568	620	672	756	854	998	1121	1195	1314	1499	1620	1817
84"	637	561	612	662	714	810	916	1052	1143	1277	1412	1600	1728	1943
90"	677	600	652	704	756	859	970	1111	1210	1358	1496	1682	1840	2069
96"	699	620	674	726	778	896	1015	1168	1289	1447	1590	1803	1951	2190
102"	728	649	706	768	825	953	1082	1242	1370	1533	1691	1911	2069	2328
108"	763	682	743	805	864	1000	1133	1304	1437	1615	1778	2003	2170	2442
114"	793	711	778	847	914	1057	1195	1373	1519	1696	1877	2111	2284	2568
120"	830	746	815	884	953	1106	1254	1440	1563	1778	1958	2203	2390	2691
126"	854	770	849	928	1007	1161	1316	1501	1659	1864	2054	2311	2496	2822

All sizes to the right of the bold black line must be made on a Two-on-One or Three-on-One headrail.

Lift N Lock Cordless\* Option Dealer Net Cost  
Width up to 48" = \$23.00  
Width of 48" and over = \$30.00  
\*Not Available with Routless Option

Motorization Dealer Net Cost 150.00  
See page 8 for accessories and specifications)

Multiple Blinds on one headrail -Price as individual and add together

PRICE GROUP  
**C1**

Advantage II 2" Smooth and Embossed

LENGTH TO:

	24"	30"	32"	36"	42"	48"	54"	60"	66"	72"	78"	84"	90"	96"
30"	96	108	110	132	148	170	188	193	210	225	237	249	269	290
36"	102	124	125	147	166	190	207	217	242	253	265	280	289	307
42"	113	138	141	161	187	213	231	240	254	266	284	308	325	349
48"	124	147	153	177	200	231	240	263	287	317	327	337	389	392
54"	136	164	167	192	220	252	276	289	322	351	369	384	415	431
60"	150	181	183	214	236	271	307	310	340	377	405	431	444	473
66"	161	197	199	224	259	293	335	344	383	406	440	466	501	534
72"	177	208	212	242	280	320	367	370	417	455	475	510	564	582
78"	191	215	217	247	303	343	387	394	432	478	508	551	605	0
84"	206	228	232	262	320	372	412	424	484	529	546	581	0	0
90"	219	242	247	278	343	391	443	452	496	542	580	0	0	0
96"	231	252	255	286	360	404	460	473	520	578	598	0	0	0
102"	242	265	270	303	369	424	481	497	560	607	0	0	0	0
108"	254	277	279	318	393	449	518	541	595	0	0	0	0	0
114"	265	292	293	336	412	460	556	572	0	0	0	0	0	0
120"	278	304	307	350	434	487	578	590	0	0	0	0	0	0

PRICE GROUP  
**C2**

Advantage II 2 1/2" Smooth

	24"	30"	32"	36"	42"	48"	54"	60"	66"	72"	78"	84"	90"	96"
30"	109	126	132	166	187	215	238	244	265	284	299	314	339	366
36"	117	143	152	185	209	240	261	275	306	320	335	353	365	387
42"	129	161	169	204	236	268	292	303	320	336	358	389	411	441
48"	141	175	181	223	252	292	303	332	362	400	413	426	491	495
54"	156	191	200	242	278	318	348	365	407	444	466	485	523	544
60"	171	209	222	271	298	342	387	390	429	475	511	544	560	597
66"	184	228	242	282	327	370	422	435	484	512	555	588	633	673
72"	202	242	255	305	354	404	463	467	527	574	600	644	712	735
78"	219	248	264	311	382	433	488	497	545	603	640	696	764	0
84"	235	265	280	331	404	470	520	536	611	668	690	733	0	0
90"	251	282	297	351	433	494	559	571	626	684	732	0	0	0
96"	264	291	309	361	454	510	580	598	656	729	755	0	0	0
102"	277	308	325	383	466	535	607	627	706	765	0	0	0	0
108"	290	319	340	401	496	567	654	682	751	0	0	0	0	0
114"	303	335	359	424	520	580	702	722	0	0	0	0	0	0
120"	318	351	373	441	548	614	729	745	0	0	0	0	0	0

Lift N Lock Cordless\* Option Dealer Net Cost:

Width of 48" and over= \$30.00

\*Not Available with Routless Option

Multiple Blinds on one headrail -Price as individual and add together

All sizes to the right of the bold black line must be made on a Two-on-One or Three-on-One headrail.

Motorization Dealer Net Cost: 150.00

See page 8 for accessories and specifications)

Motorization: Not Available on 2.5" slats.

Routless Dealer Net Cost: \$25.00 per blind

## PRICE GROUP

**D1****2" Smooth and 2" Embossed**

LENGTH TO:

	24"	28"	32"	36"	42"	48"	54"	60"	66"	72"	78"	84"	90"	96"
30"	98	110	113	135	151	174	193	197	215	230	242	255	275	297
36"	104	126	128	150	169	194	212	222	248	259	271	286	296	314
42"	115	141	144	165	191	218	236	245	259	272	290	315	333	357
48"	127	151	157	181	205	236	246	269	293	324	335	345	397	401
54"	139	167	171	196	225	258	282	296	330	359	378	393	424	440
60"	153	185	187	219	241	277	314	316	348	385	414	440	454	484
66"	165	201	204	229	265	300	342	352	392	415	450	476	513	546
72"	181	213	217	247	287	327	375	378	427	465	486	522	577	595
78"	196	220	222	252	309	351	395	403	442	489	519	564	619	0
84"	211	234	237	268	327	381	422	434	495	541	559	594	0	0
90"	224	248	252	284	351	400	453	462	507	554	593	0	0	0
96"	237	257	261	292	368	414	470	484	532	591	612	0	0	0
102"	247	271	276	310	377	433	492	508	572	620	0	0	0	0
108"	260	283	285	325	402	459	530	553	608	0	0	0	0	0
114"	271	299	300	343	421	470	569	585	0	0	0	0	0	0
120"	284	311	314	357	444	497	591	604	0	0	0	0	0	0

## PRICE GROUP

**D2****2" Stains and 2 1/2" Slats**

LENGTH TO:

	24"	28"	32"	36"	42"	48"	54"	60"	66"	72"	78"	84"	90"	96"
30"	108	121	124	148	166	191	212	217	236	253	266	280	302	326
36"	115	139	141	165	186	214	233	245	273	285	298	315	325	345
42"	127	155	158	181	210	239	260	269	285	299	319	347	366	393
48"	139	166	172	199	225	260	270	295	322	357	368	379	437	441
54"	153	184	188	216	247	284	310	325	363	395	416	433	466	485
60"	168	203	206	241	265	305	345	348	382	424	456	485	499	532
66"	181	222	224	252	291	330	376	387	431	457	495	524	564	600
72"	199	234	239	272	315	360	413	416	469	512	535	574	635	655
78"	215	242	244	277	340	386	435	443	486	538	571	621	681	0
84"	232	257	261	295	360	419	464	477	544	595	615	653	0	0
90"	247	272	277	313	386	440	499	508	558	609	653	0	0	0
96"	260	283	287	322	405	455	517	533	585	650	673	0	0	0
102"	272	298	303	341	415	477	541	559	629	682	0	0	0	0
108"	286	312	314	358	442	505	583	608	669	0	0	0	0	0
114"	298	329	330	378	463	517	626	643	0	0	0	0	0	0
120"	313	342	346	393	488	547	650	664	0	0	0	0	0	0

Lift N Lock Cordless\* Option Dealer Net Cost

Width up to 48" = \$23.00

Width of 48" and over= \$30.00

\*Not Available with Routless Option

Multiple Blinds on one headrail -Price as individual and add together

All sizes to the right of the bold black line must be made on a Two-on-One or Three-on-One headrail.

Motorization Dealer Net Cost \$150.00

See page 8 for accessories and specifications)

Motorization: Not Available on 2.5" slats.

Routless Dealer Net Cost: \$25.00 per blind

## WOOD COLLECTION

## SIZE STANDARDS

## SINGLE BLINDS

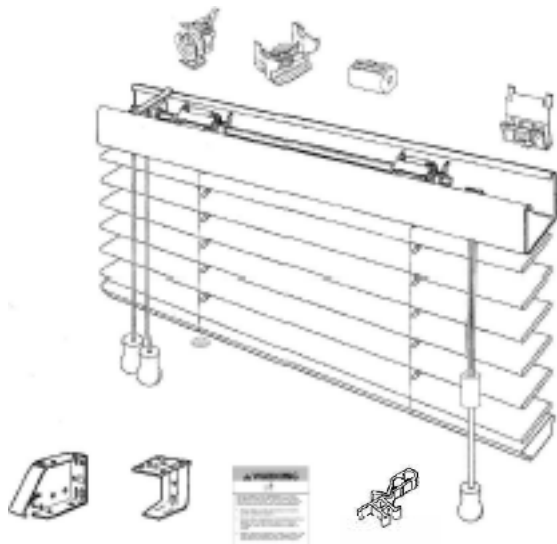
Width	
Minimum net width, braided ladders	6"
Minimum net width, decorative tapes	7½"
Recommended Maximum ordered width	
	72"
Height	
Minimum ordered height	12"
Maximum ordered height	126"
Area	
	Sq. Ft.
Maximum Square Feet per Single Blind	50

MULTIPLE BLINDS  
ON ONE HEADRAIL

Width	
Minimum overall net width, 2 on 1	12¼"
Minimum overall net width, 3 on 1	18½"
Maximum ordered width	96"
Height	
Minimum ordered height	12"
Maximum ordered height	126"
Area	
	Sq. Ft.
Maximum number of blinds	3
Space between blinds (routed)	½"
Space between blinds (routless)	½"

## STACKING HEIGHTS (APPROX.) Includes headrail and bottom rail.

Blind Height:	36"	48"	60"	72"	84"	96"	120"
Braided ladders	5⅝"	6⅝"	7½"	8½"	9½"	10½"	12⅜"
Cloth tapes	6¼"	7⅝"	8⅝"	10⅝"	11½"	12¾"	15⅝"
Decorative trims	7¼"	9½"	11¼"	13"	14¾"	16½"	20"



## FINISHED DIMENSIONS

Inside Mount Allowance		
Blind width		-½"
Blind height		±⅛"
Outside Mount Allowance		
Blind width		As ordered
Blind height		±⅛"
Valance Allowance		
	Back	Face
Inside Mount	-⅛"	-⅛"
Outside Mount	+¾"	+1½"

## MOUNTING REQUIREMENTS

Inside Mount	
Minimum casement depth, bracket attachment	1⅝"
Minimum casement depth, fully recessed with valance	3"
Outside Mount	
Minimum flat mounting surface height	1¼"
Recommended width overlap per side	1½"

## CONTROL OPTIONS

Standard: Tilt left (L), cord right (R)
Optional: Tilt (R), Cord (L) Tilt (R), Cord (R) Tilt (L), Cord (L)
Blinds less than 10½" wide (net) will have a center tilt only (no lift cord)
Blinds less than 22½" wide (net) must have split controls (L/R or R/L)
Multiple blinds on one headrail may be ordered with a single tilt control for all blinds, if desired

## LADDER COUNT

Ladder Quantity	Blind Width
2 each	to 34" wide
3 each	34⅝" to 56" wide
4 each	56⅝" to 78" wide
5 each	78⅝" to 96" wide

## VALANCE RETURN LENGTHS

	Back	Face
No extension bracket	2⅝"	3"

## LIFT N LOCK CORDLESS OPTION

Lift N Lock is a reduced cord, button operated option to use with 2" and 2.5" slats with braided string ladders.

Push button operated Lift Lock rail system controls the raising and lowering functions. Slats are tilted using a wand.

## Size Specifications

Minimum net width	10.5"
Minimum net length	12"
Maximum Net width	96"
Maximum Net length	84"
Maximum ordered height	126"
Area	56 Sq. Ft.
Maximum Square Feet per Single Blind	56

## A NOTE ABOUT WOOD PRODUCTS...

Our wood blinds are true wood products, made from 100% kiln-dried basswood. There will be variations in color, grain, texture and stability that are characteristic of all woods. These variations will be especially visible in blinds with light color stains. The variations are normal and natural, and conform to industry standards. Additionally, due to the improved closure of blinds with routless privacy feature, slight bowing may become more noticeable when the slats are closed.



**SPECIFICATIONS ~ SOMFY RTS MOTORIZATION**

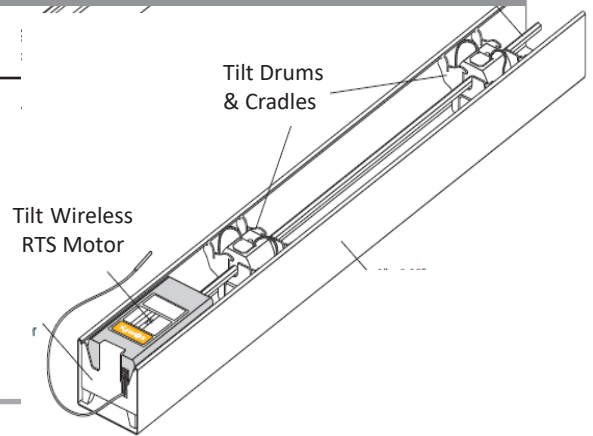
**MOTOR FEATURES AND BENEFITS**

Somfy Tilt 50 Wire Free RTS motor capable of tilting blinds up to 30 pounds with batter tube (including 8 AA lithium batteries)..... \$150.00 Dealer Net Cost

Motor is fully enclosed in the headrail.

Installs with standard installation hardware.

This is a tilt only motor. The blind will have a lift cord.



**OPTIONAL POWER SUPPLY**

Rechargeable Solar Panel (with NIHM batteries) \$125.00 Dealer Net Cost

12 Volt DC Plug in cord 9.9 ft. ....\$95.00 Dealer Net Cost

**CHOOSE YOUR CONTROL**

1 Channel Remote Control.....\$59.00 Dealer Net Cost

5 Channel Remote Control.....\$76.00 Dealer Net Cost

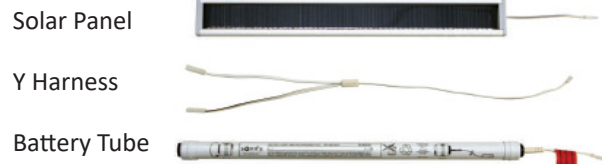
5 Channel Wall Switch.....\$145.00 Dealer Net Cost

Remotes operate an unlimited number of blinds without changing channels and can multiple products on same remote.

**WARRANTY**

5 year Warranty from the date stamped on the motor.

**Solar Panel Kit Consists of:**



1 Channel Remote



5 Channel Wall Switch

**BLIND SIZE CHART**

Product Type	Max. Sq. Ft. Standard Motor	Max. Sq. Ft. Heavy Duty Motor
2" Basswood	44'	90'

Minimum width 18 3/4"

Note: To calculate square footage of a blind, multiply blind height (in inches) times the blind width (in inches) then divide by 144.

Motorization only available on 2". Cannot be combined with Routless, Cloth Tape or Multiple blind options..

**12 Volt DC Plug In:**



## CARE AND CLEANING

Like any wood furnishings, Wood Blinds should be dusted regularly to keep them looking new. Use a soft, clean cloth, chemically treated dust cloth, or dusting mitt.

Blinds may also be cleaned by vacuuming them with the brush attachment of a vacuum cleaner or by wiping them with a soft, damp rag. Stained blinds should be treated periodically with lemon oil or other wood preservative to protect their finish.

## CHILD SAFETY

Be aware that it is possible for children to become entangled in window covering cords. To reduce the risk of accidents, all cords must be kept out of the reach of children. Cord cleats are an effective way to implement this essential precaution.

Mount the cord cleat at a safe height, taking into account furniture or other objects upon which a child may climb. Then, after each use of the blind, simply wrap the excess cord around the cleat.

Cord cleats are included with every Wood Blind.

## LIMITED LIFETIME WARRANTY

Oxford House warrants that wood blinds from the Wood Collection will be free from defects in materials and workmanship for as long as the original retail purchaser owns the product, provided that the products were properly installed in residential dwellings, the products were made or assembled exclusively from our materials and components, and our recommendations were followed with regard to limitations and specifications.

Some slight warpage, as well as natural variations in color and grain effect are normal with a wood product and are not considered defects. In addition some fading and/or discoloration of the finish may occur over time. This is common with man-made coatings and is not considered a defect.

The obligation of Oxford House is limited to repair or replace the blinds or components found to be defective and excludes shipping charges and labor costs for measuring and installation. Repairs will be made with like or similar parts.

This warranty does not apply to conditions caused by normal wear and tear upon the product.

THIS WARRANTY IS EXCLUSIVE AND IN LIEU OF ALL OTHER OBLIGATIONS, LIABILITIES OR WARRANTIES. In no event shall Oxford House or distributors be liable or responsible for INCIDENTAL OR CONSEQUENTIAL DAMAGES or for any other direct or indirect damage, loss, cost, expense or fee. Some states do not allow the exclusion or limitation of incidental or consequential damages, so this exclusion or limitation may not apply to you.



# 2" HORIZONTAL BLIND ORDER FORM

DATE \_\_\_\_\_ P.O. NO. \_\_\_\_\_  
 SIDEMARK \_\_\_\_\_

CHARGE TO:

NAME \_\_\_\_\_

ADDRESS \_\_\_\_\_

CITY \_\_\_\_\_

STATE \_\_\_\_\_ ZIP \_\_\_\_\_

SHIP TO:

NAME \_\_\_\_\_

ADDRESS \_\_\_\_\_

CITY \_\_\_\_\_

STATE \_\_\_\_\_ ZIP \_\_\_\_\_

PHONE ( ) - \_\_\_\_\_

SPECIAL INSTRUCTIONS:

\_\_\_\_\_

\_\_\_\_\_

\_\_\_\_\_

\_\_\_\_\_

\_\_\_\_\_

\_\_\_\_\_

\_\_\_\_\_

ORDER# \_\_\_\_\_

CUSTOMER P.O.# \_\_\_\_\_

PAGE \_\_\_\_\_ OF \_\_\_\_\_

LINE	QTY	BY OB/SIDE	WIDTH	LENGTH	CONTROL		WAND?		FABRIC INFORMATION		Hold- downs	OPTIONS, IF ANY
					TIE	LIE	Y/N	Y/N	COLOR NAME	COLOR #		
1												
2												
3												
4												
5												
6												
7												

**PLEASE FAX ORDERS TO OXFORD HOUSE CUSTOMER SERVICE AT 1-765-884-3274**

**ORDERED BY** \_\_\_\_\_

For orders placed by phone, dealers will assume all responsibility. Duplicate orders cannot be cancelled once they are in production.