



1" & 2" Mini Blind Collection



PRODUCT REFERENCE & RETAIL PRICE GUIDE

Alumina
PREMIER COLLECTION



CUSTOM MADE BLINDS
WITH LIFT & LOCK™ CORDLESS OPTION

Feb 26, 2018

Prices subject to change without notice.



TABLE OF CONTENTS

Premier Collection Features & Benefits	3
Terms Of Sale & Freight / Repair Charges.....	4
Color Chart.....	5
Deluxe	6-7
Traditional	8-9
Basic	10-11
Value	12-13
Macro 2"	14-15
Measuring	16
Child Safety, Care & Warranty	17
Order Form.....	18

FEATURES & BENEFITS

1" DELUXE

- Lift & Lock™ cordless available for cord free, push button lift.
*Available for standard rout only
- Spring-tempered 8 gauge slats - available in a full selection of decorative colors and styles.
- Heavy-duty headrail with integrated valance - adds contemporary appeal.
- Privacy option - blocks unwanted light and increases privacy.
- Crash-proof cord lock and cast metal slip-clutch tilter provide smooth, reliable operation.

1" TRADITIONAL

- Lift & Lock™ cordless available for cord free, push button lift.
- Spring-tempered 6 gauge slats - offered in best selling styles and colors.
- Selection of 8 gauge slat colors also available as an upgrade.
- Heavy-duty standard headrail with crash-proof cord lock and cast metal slip-clutch tilter ensures smooth, reliable operation.
- Two-slat valance clips or two-slat channel valance.

1" BASIC

- Lift & Lock™ cordless available for cord free, push button lift on Basic 6 Gauge.
- Spring-tempered 6 or 8 gauge slats - offered in a popular variety of colors.
- Heavy-duty standard headrail with crash-proof cord lock and cast metal slip-clutch tilter ensures a smooth, reliable operation.
- Two-slat valance clips standard.

1" VALUE

- Lift & Lock™ cordless available for cord free, push button lift.
- Spring-tempered 6 gauge slats - offered in 6 top-selling colors.
- Heavy-duty standard headrail with crash-proof cord lock and cast metal slip-clutch tilter ensures a smooth, reliable operation.
- Two-slat valance clips standard.

2" MACRO

- Lift & Lock™ cordless available for cord free, push button lift.
*Available for standard rout only
- Selection of 8 gauge slat colors.
- Heavy-duty low profile standard headrail with crash-proof cord lock and cast metal slip-clutch tilter ensures a smooth, reliable operation.
- Slat valance and clips or channel valance.

ALL STYLES FEATURE

- Spring-tempered slats - resists kinks and dents.
- Dust resistant finish repels dust and makes cleaning easier.
- Lock seam bottom rail provides added durability and resists bowing.
- Cord stop and single pull helps protect children and pets.

TERMS OF SALE & FREIGHT

PRICE QUOTATION

All prices subject to change without notice.

To ensure order accuracy, please use the Aluminum Premier Collection order form. The blank order form can be found at the back of the price book. Make copies to create additional blank order forms.

EMAIL ORDERS

Dealers are able to submit orders by completing the order form, and submitting it to: sales@oxford-house.com or by fax to: 765-884-3274

CANCELLATION OR CHANGE ORDER

IMPORTANT! Due to the custom nature of our products, we cannot accept changes or cancellations after orders have been put into production.

LEAD TIME

Typically, orders (less than 15 units) are manufactured and shipped within 7-10 business days. All orders are subject to inventory availability. Orders placed after 2:00 p.m. EST are considered as next day business.

CONTRACT QUOTE POLICY

Commercial quotes available on 20 units or more of the same product type.

Commercial quotes are valid for 30 days.

Shipping date will be confirmed after receipt of order and is subject to inventory availability, total units, production and scheduling considerations.

Any change, including but not limited to size, color, controls, quantity, ship to location, ship date or number of shipment, may result in a change in price.

A 50% deposit is required on all quotes of \$5,000.00 or more

ORDER TRACKING & ORDER STATUS

Order confirmations are sent via email within 24 hours of placing order. Please make sure you have your email on file with us. To track your order or check the status of your order, please contact customer service and provide them with the work order number.

STANDARD SHIPPING & HANDLING, DELIVERY & FREIGHT POLICIES

\$ 4.25 handling per unit shipping to commercial addresses

\$5.25 handling per unit shipping to residential addresses.

Mid-Size shipping (60" up to 90") \$6.50 per order
Oversize (90" up to 116") \$80.00 per order.

Common Carrier shipping for items 116" and over, please contact customer service for details.

For express shipments and shipments to Alaska, Hawaii and foreign countries, freight will be quoted separately. Freight collect orders and using a preferred carrier is optional.

Next Day, 2nd Day Air and 3 Day select shipping options are available - actual freight will be applied.

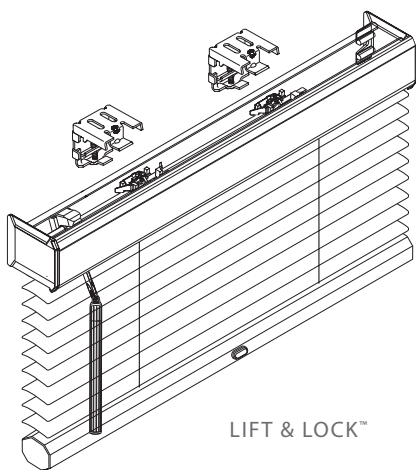
FREIGHT DAMAGE & SHORTAGES

Please inspect all shipments immediately and carefully. Please report damages and shortages on the delivery receipt and notify Oxford House customer service within 48 hours. No freight damage claim will be accepted after 10 days from shipping.

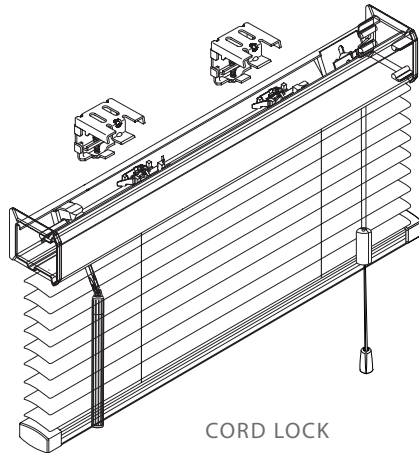
COLOR CHART

COLOR	DELUXE Valance Integrated	TRADITIONAL 1x1.5		BASIC 1x1	Basic 1 x 1	VALUE 1x1	MACRO 2" Low Profile	LIFT & LOCK™
	D8	T6	T8	B6	B8	V6	M2	
001 OPAL				125
002 ALABASTER	002
018 QUARTZ	110
048 BLACK	048
064 CHAR BROWN	064
065 BRUSHED ALUMINUM		065
110 SNOW GLOSS	110
125 PURE WHITE	125
127 PLASTER		127
173 EGGSHELL	.			.			.	002
180 CLAY				010
186 BEIGE	002
188 BURGUNDY	.							002
190 BRIGHT ALUMINUM	065
203 PUMICE	.							002
205 FAWN	002
254 CHAR BROWN MATTE	.							064
262 BRUSHED NICKEL TEXTURE	.		.					065
268 TUSK				127
269 BISQUE	127
270 LINEN	.			.			.	127
276 MERCURY	.			.				104
280 COBALT BLUE	.							104
315 BISCUIT	.							002
318 COBBLESTONE				010
319 COUNTRY BEIGE	.							127
350 VANILLA	002
361 SOFT TAUPE	.							002
385 EVENING SNOW	.							127
402 PARCHMENT	.							002
405 PEWTER GRAY	.			.				104
413 FOREST				002
711 KAOLIN PEARL				127
748 GRAYSTONE	010
795 SEASHELL				125
820 SIERRA				048
830 CANVAS	002
885 CHALK WHITE	125
913 ASH	.							104
914 LIGHT CAFFE	.							104
916 CLASSIC RED	.							002
917 RIVER LOG	.							064
919 SPRIG	.							002
973 ANTIQUE	002
974 PEARL	127
981 TALC	.			.				125
983 GRAPHITE	.							048
048P BLACK PERFORATED	.		.					048
065P BRUSHED ALUMINUM PERFORATED	.		.					065
110P SNOW GLOSS PERFORATED	.		.					110
973P ANTIQUE PERFORATED	.		.					002

DELUXE – VALANCE INTEGRATED BLIND



LIFT & LOCK™



CORD LOCK

D8 DELUXE

- LIFT & LOCK™ CORDLESS AVAILABLE
- VALANCE INTEGRATED SYSTEM
- 8 GAUGE 1" SLAT
- PRIVACY OR STANDARD ROUTE
- 18MM LADDER SPACING PRIVACY
- 22MM LADDER SPACING STANDARD
- HIDDEN INSTALLATION BRACKETS
- COLOR MATCHED END CAPS
- LOCK SEAM CLOSED BOTTOMRAIL
- AVAILABLE IN 51 COLORS



CORDLESS SURCHARGE OPTION

Lift & Lock™Price as standard blind and add \$133

* Available for standard rout only

D8 DELUXE 1 INCH BLIND PRIVACY		23"	26"	29"	32"	36"	40"	44"	48"	52"	57"	62"	67"	72"	82"	92"	102"	112"	122"	132"	142"
Height To	42"	\$149	\$154	\$159	\$165	\$172	\$181	\$188	\$195	\$202	\$211	\$228	\$239	\$247	\$283	\$302	\$321	\$345	\$366	\$382	\$401
	48"	\$152	\$158	\$163	\$170	\$177	\$187	\$195	\$202	\$210	\$220	\$238	\$249	\$258	\$296	\$316	\$337	\$362	\$385	\$403	\$423
	54"	\$157	\$163	\$168	\$176	\$184	\$194	\$202	\$210	\$218	\$229	\$248	\$260	\$269	\$308	\$330	\$352	\$379	\$403	\$422	\$444
	60"	\$160	\$167	\$173	\$181	\$189	\$200	\$209	\$218	\$226	\$238	\$258	\$270	\$281	\$321	\$344	\$368	\$396	\$422	\$443	\$466
	66"	\$164	\$170	\$177	\$185	\$194	\$205	\$215	\$224	\$233	\$246	\$266	\$279	\$291	\$332	\$357	\$382	\$412	\$438	\$466	\$491
	72"	\$169	\$176	\$183	\$191	\$201	\$213	\$224	\$233	\$243	\$256	\$277	\$291	\$303	\$346	\$372	\$399	\$430	\$464	\$488	\$514
	78"	\$172	\$179	\$187	\$196	\$206	\$218	\$230	\$240	\$250	\$263	\$286	\$300	\$313	\$357	\$385	\$413	\$450	\$481	\$506	\$534
	84"	\$175	\$183	\$191	\$201	\$211	\$225	\$237	\$247	\$258	\$272	\$296	\$311	\$324	\$370	\$399	\$428	\$468	\$500	\$527	\$556
	90"	\$183	\$192	\$200	\$210	\$221	\$235	\$247	\$258	\$270	\$285	\$309	\$325	\$339	\$386	\$417	\$452	\$488	\$522	\$550	\$580
	96"	\$187	\$195	\$204	\$215	\$226	\$241	\$253	\$265	\$277	\$293	\$318	\$334	\$349	\$397	\$434	\$466	\$504	\$539	\$568	\$600
	102"	\$190	\$199	\$209	\$219	\$232	\$247	\$260	\$273	\$285	\$301	\$327	\$345	\$360	\$410	\$448	\$482	\$521	\$557	\$588	\$622
	108"	\$194	\$203	\$213	\$224	\$237	\$252	\$266	\$279	\$292	\$309	\$336	\$354	\$370	\$426	\$461	\$496	\$537	\$574	\$606	\$641
	114"	\$186	\$196	\$206	\$218	\$231	\$247	\$262	\$275	\$289	\$307	\$334	\$353	\$369	\$427	\$463	\$500	\$542	\$581	\$615	\$651
	120"	\$189	\$200	\$210	\$222	\$236	\$253	\$268	\$282	\$296	\$315	\$343	\$362	\$379	\$438	\$476	\$514	\$557	\$598	\$633	\$671
	126"	\$193	\$204	\$215	\$227	\$242	\$259	\$275	\$289	\$304	\$323	\$352	\$372	\$395	\$451	\$490	\$529	\$574	\$617	\$653	\$693

D8 DELUXE 1 INCH BLIND STANDARD		23"	26"	29"	32"	36"	40"	44"	48"	52"	57"	62"	67"	72"	82"	92"	102"	112"	122"	132"	142"
Height To	42"	\$146	\$150	\$155	\$161	\$167	\$175	\$182	\$188	\$194	\$203	\$220	\$229	\$237	\$271	\$288	\$306	\$329	\$348	\$364	\$381
	48"	\$149	\$153	\$158	\$165	\$171	\$180	\$188	\$194	\$201	\$210	\$227	\$238	\$246	\$281	\$300	\$319	\$342	\$363	\$380	\$398
	54"	\$153	\$158	\$163	\$170	\$177	\$186	\$194	\$201	\$208	\$218	\$236	\$247	\$256	\$292	\$312	\$332	\$357	\$380	\$397	\$417
	60"	\$156	\$161	\$167	\$174	\$181	\$191	\$200	\$207	\$215	\$225	\$244	\$255	\$265	\$302	\$324	\$345	\$371	\$394	\$413	\$434
	66"	\$158	\$164	\$170	\$178	\$186	\$196	\$205	\$213	\$221	\$232	\$252	\$264	\$273	\$312	\$335	\$357	\$385	\$409	\$435	\$457
	72"	\$163	\$169	\$175	\$183	\$191	\$202	\$212	\$220	\$229	\$240	\$261	\$273	\$284	\$324	\$347	\$371	\$400	\$431	\$452	\$476
	78"	\$165	\$172	\$179	\$187	\$196	\$207	\$217	\$226	\$235	\$247	\$268	\$281	\$292	\$334	\$359	\$383	\$418	\$446	\$468	\$493
	84"	\$168	\$175	\$182	\$190	\$200	\$212	\$222	\$231	\$240	\$253	\$275	\$289	\$300	\$342	\$368	\$394	\$430	\$459	\$482	\$508
	90"	\$176	\$183	\$190	\$199	\$209	\$221	\$232	\$242	\$252	\$265	\$288	\$302	\$314	\$357	\$384	\$416	\$449	\$479	\$503	\$530
	96"	\$179	\$186	\$194	\$203	\$213	\$226	\$238	\$248	\$258	\$272	\$295	\$310	\$323	\$367	\$400	\$428	\$463	\$494	\$519	\$548
	102"	\$181	\$189	\$197	\$207	\$218	\$231	\$243	\$254	\$264	\$279	\$303	\$318	\$331	\$377	\$412	\$441	\$476	\$509	\$535	\$565
	108"	\$184	\$193	\$201	\$211	\$222	\$236	\$248	\$260	\$271	\$286	\$311	\$326	\$340	\$392	\$423	\$453	\$490	\$523	\$551	\$582
	114"	\$176	\$185	\$193	\$204	\$215	\$230	\$243	\$254	\$266	\$281	\$307	\$323	\$337	\$390	\$422	\$454	\$492	\$526	\$555	\$587
	120"	\$179	\$188	\$197	\$208	\$220	\$235	\$248	\$260	\$272	\$288	\$314	\$331	\$346	\$400	\$434	\$466	\$505	\$541	\$571	\$605
	126"	\$182	\$191	\$201	\$211	\$224	\$240	\$254	\$266	\$278	\$295	\$322	\$339	\$360	\$410	\$445	\$479	\$519	\$556	\$587	\$622

DELUXE – VALANCE INTEGRATED BLIND SPECIFICATIONS

CORD LOCK SIZE STANDARDS

Minimum	
Minimum Height	6"
Minimum Net Width	8"
Maximum	
Maximum Height	126"
Maximum Width (single blind)	142"
Maximum Width (2 or 3 on 1 headrail)	142"
Maximum Square Feet (single blind)	124 sq ft
Control Requirements	
Split controls L/R Min.	10 1/2"
Wand Left/Lift Right (standard)	
Group controls LL/LR Min.	18 1/8"
Tilt only Net Width	8" - 10 3/8"

LIFT & LOCK™ SIZE STANDARDS

Minimum	
Minimum Height	12"
Minimum Net Width	10 1/2"
Maximum	
Maximum Height	84"
Maximum Width (single blind)	120"
Maximum Width (2 or 3 on 1 headrail)	120"
Maximum Square Feet (single blind)	70 sq ft

MOUNTING REQUIREMENTS

Inside (IB) Mount	
Minimum required depth	7/8"
Minimum required depth, flush mount	1 1/4"
Outside (OB) Mount	
Minimum required mounting surface	5/8"
Rail-to-mount surface clearance	5/16"
Slat end-to-mount surface clearance	5/16"
Recommended width overlap per side	1 1/2"

FINISHED DIMENSIONS

Inside (IB) Mount	
Headrail width	-1/4"
Slat width	-1/2"
Blind height	ordered height
Outside (OB) Mount	
Headrail width	+1/4"
Slat width	ordered width
Blind height	ordered height

Note: Measurements represent difference of total headrail or slat length (including end caps) from ordered width.

INSTALLATION BRACKETS & SUPPORTS

Install Brackets		
Finished Width	# of Brackets	# of Brackets
	Under 60 sq ft	60 sq ft +
Up to 60"	2	3
60 1/8" to 120"	3	4
Over 120"	4	5

STACKING HEIGHTS (APPROXIMATE)

Blind Height	Stacks To
36"	3"
48"	3 1/2"
60"	4"
72"	4 1/2"
84"	5"
96"	5 1/2"
108"	6"
120"	6 1/2"
126"	6 3/4"

CONTROL OPTIONS

Standard
Tilt wand left (L), pull cord right (R)

Optional
Tilt wand (R), pull cord (L)
Tilt wand (R), pull cord (R)
Tilt wand (L), pull cord (L)

Control Positions
8 1/8" to 10 1/2" FINISHED width, center tilt or no tilt (no lift cord)

10 5/8" to 18 1/8" FINISHED, must be split L/R or R/L

18 1/4" FINISHED width or greater, controls can be L/R, R/L, L/L, or R/R

Note: Unless otherwise specified, pull cord length will match wand length. Minimum pull cord and wand length is 12".

LIFT & LOCK™ CONTROL OPTIONS

Standard
Tilt wand left (L)

Optional
Tilt wand (R)

WAND LENGTH STANDARDS

Blind Height	Wand Length
6" to 22"	12"
22 1/8" to 37"	20"
37 1/8" to 52"	30"
52 1/8" to 67"	40"
67 1/8" to 82"	50"
82 1/8" to 142"	60"

Note: Any wand length listed above may be chosen to override the supplied standard wand length. Additional wand lengths: 70", 78", 90" or 120".

LADDER STANDARDS

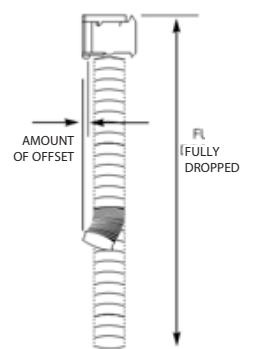
Finished Width	Number of Ladders
Up to 36"	2
36 1/8" to 60"	3
60 1/8" to 84"	4
84 1/8" to 108"	5
108 1/8" to 132"	6

OPTIONAL FEATURES

- Lift & Lock™ cordless (standard rout only)
- No Charge – Specify on Order
- Hold-down brackets
- 3/8" spacer blocks
- Extension brackets
- Non-standard cord length
- Non-standard wand length
- Multiple blinds on one headrail
- Cut-outs

OFFSET STACKING CHART

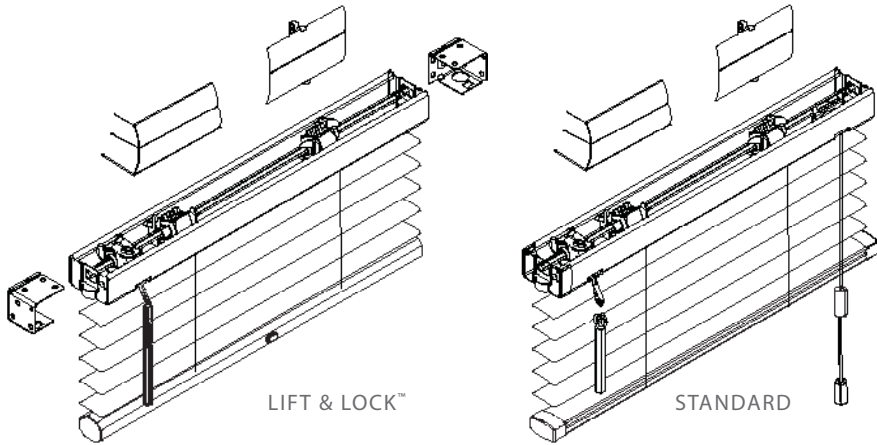
Length of Offset	Amount of Offset
12"	1/4"
24"	7/16"
36"	9/16"
48"	11/16"
60"	3/4"
72"	13/16"
84"	13/16"
96"	7/8"
108"	7/8"
120"	7/8"



HOW TO PRICE

- Important Note! All base prices are predicated on Ordered Dimensions, not Finished Dimensions.
- Multiple blinds on 1 headrail – price each blind individually and add together for total price.
- Base prices for 1" Deluxe blinds are shown on price chart D8.
- Lift & Lock™ cordless surcharge added to each blind ordered when selected as an option.

TRADITIONAL – 1x1.5" BLIND



T6 T8 TRADITIONAL

- LIFT & LOCK™ CORDLESS AVAILABLE
- 1X1.5" RAIL SYSTEM
- 6 OR 8 GAUGE 1" SLAT
- 22MM LADDER SPACING
- BOX BRACKETS & METAL END STIFFENER
- 2 SLAT VALANCE & CLIPS OR CHANNEL VALANCE
- LOCK SEAM CLOSED BOTTOMRAIL
- AVAILABLE IN 26 COLORS



CORDLESS SURCHARGE OPTION

Lift & Lock™Price as standard blind and add \$133

T8		TRADITIONAL 1 INCH BLIND 8-GAUGE																				
Width		23"	26"	29"	32"	36"	40"	44"	48"	52"	57"	62"	67"	72"	82"	92"	102"	112"	122"	132"	142"	152"
Height To	42"	\$150	\$156	\$162	\$170	\$178	\$188	\$197	\$205	\$215	\$226	\$240	\$252	\$262	\$300	\$323	\$346	\$372	\$394	\$414	\$436	\$457
	48"	\$152	\$159	\$165	\$173	\$182	\$192	\$202	\$210	\$221	\$232	\$247	\$260	\$270	\$309	\$333	\$357	\$384	\$407	\$429	\$452	\$474
	54"	\$156	\$163	\$170	\$178	\$187	\$198	\$208	\$217	\$228	\$240	\$256	\$269	\$280	\$320	\$345	\$370	\$398	\$422	\$444	\$469	\$492
	60"	\$159	\$166	\$173	\$181	\$191	\$203	\$213	\$222	\$233	\$246	\$263	\$276	\$288	\$329	\$355	\$381	\$410	\$436	\$459	\$485	\$509
	66"	\$161	\$169	\$176	\$185	\$195	\$207	\$218	\$228	\$239	\$253	\$270	\$284	\$296	\$338	\$366	\$393	\$423	\$449	\$474	\$501	\$525
	72"	\$168	\$176	\$184	\$193	\$203	\$216	\$227	\$237	\$249	\$263	\$281	\$296	\$309	\$352	\$380	\$409	\$440	\$467	\$493	\$521	\$547
	78"	\$171	\$179	\$187	\$197	\$207	\$220	\$232	\$243	\$255	\$269	\$288	\$303	\$317	\$361	\$391	\$420	\$452	\$481	\$507	\$537	\$563
	84"	\$179	\$188	\$196	\$205	\$216	\$230	\$242	\$253	\$266	\$281	\$301	\$316	\$330	\$376	\$406	\$437	\$470	\$500	\$527	\$558	\$586
	90"	\$182	\$190	\$199	\$209	\$220	\$235	\$247	\$259	\$272	\$287	\$308	\$324	\$338	\$385	\$417	\$448	\$483	\$513	\$542	\$574	\$602
	96"	\$184	\$193	\$202	\$213	\$224	\$239	\$252	\$264	\$278	\$294	\$315	\$332	\$346	\$394	\$427	\$459	\$495	\$527	\$557	\$589	\$619
	102"	\$187	\$196	\$206	\$216	\$228	\$244	\$257	\$269	\$284	\$300	\$322	\$339	\$354	\$403	\$437	\$471	\$508	\$540	\$571	\$605	\$636
	108"	\$190	\$199	\$209	\$220	\$233	\$248	\$262	\$275	\$289	\$306	\$329	\$347	\$363	\$412	\$448	\$482	\$520	\$554	\$586	\$621	\$653
	114"	\$192	\$202	\$212	\$223	\$237	\$253	\$267	\$280	\$295	\$313	\$336	\$354	\$371	\$421	\$458	\$493	\$533	\$568	\$600	\$636	\$670
120"	\$194	\$205	\$215	\$227	\$240	\$257	\$271	\$285	\$300	\$318	\$342	\$361	\$378	\$429	\$467	\$503	\$544	\$579	\$613	\$650	\$684	
126"	\$197	\$208	\$218	\$230	\$244	\$261	\$276	\$290	\$306	\$325	\$349	\$368	\$386	\$438	\$477	\$515	\$556	\$593	\$628	\$666	\$701	

T6		TRADITIONAL 1 INCH BLIND 6-GAUGE																				
Width		23"	26"	29"	32"	36"	40"	44"	48"	52"	57"	62"	67"	72"	82"	92"	102"	112"	122"	132"	142"	152"
Height To	42"	\$148	\$154	\$159	\$167	\$174	\$184	\$193	\$200	\$210	\$220	\$234	\$246	\$255	\$292	\$314	\$336	\$360	\$381	\$400	\$422	\$441
	48"	\$150	\$156	\$162	\$170	\$178	\$188	\$197	\$205	\$215	\$226	\$241	\$252	\$262	\$300	\$323	\$346	\$371	\$393	\$413	\$436	\$456
	54"	\$154	\$160	\$167	\$174	\$183	\$193	\$203	\$211	\$221	\$233	\$248	\$260	\$271	\$310	\$334	\$357	\$384	\$407	\$428	\$451	\$472
	60"	\$156	\$163	\$169	\$177	\$186	\$197	\$207	\$216	\$227	\$239	\$255	\$267	\$278	\$318	\$343	\$368	\$395	\$419	\$441	\$465	\$488
	66"	\$158	\$166	\$172	\$181	\$190	\$202	\$212	\$221	\$232	\$244	\$261	\$274	\$286	\$326	\$352	\$378	\$406	\$431	\$454	\$479	\$503
	72"	\$165	\$173	\$180	\$188	\$198	\$210	\$220	\$230	\$241	\$254	\$272	\$285	\$297	\$339	\$366	\$392	\$422	\$448	\$472	\$498	\$522
	78"	\$168	\$175	\$183	\$192	\$201	\$214	\$225	\$235	\$247	\$260	\$278	\$292	\$305	\$347	\$375	\$403	\$433	\$460	\$485	\$512	\$537
	84"	\$175	\$183	\$191	\$200	\$210	\$223	\$235	\$245	\$257	\$271	\$290	\$305	\$317	\$361	\$390	\$418	\$450	\$478	\$503	\$532	\$558
	90"	\$178	\$186	\$194	\$203	\$214	\$228	\$239	\$250	\$262	\$277	\$296	\$311	\$325	\$369	\$399	\$429	\$461	\$490	\$517	\$546	\$573
	96"	\$180	\$189	\$197	\$207	\$218	\$232	\$244	\$255	\$268	\$282	\$303	\$318	\$332	\$377	\$408	\$439	\$473	\$502	\$530	\$560	\$588
	102"	\$182	\$191	\$200	\$210	\$221	\$236	\$248	\$260	\$273	\$288	\$309	\$325	\$339	\$386	\$418	\$449	\$484	\$514	\$543	\$574	\$603
	108"	\$185	\$194	\$203	\$213	\$225	\$240	\$253	\$264	\$278	\$294	\$315	\$332	\$347	\$394	\$427	\$459	\$495	\$526	\$556	\$589	\$618
	114"	\$187	\$197	\$206	\$216	\$228	\$244	\$257	\$269	\$283	\$300	\$322	\$339	\$354	\$402	\$436	\$469	\$506	\$539	\$569	\$603	\$633
120"	\$189	\$199	\$208	\$219	\$232	\$247	\$261	\$273	\$288	\$304	\$327	\$345	\$360	\$409	\$444	\$478	\$516	\$549	\$580	\$615	\$647	
126"	\$192	\$202	\$211	\$222	\$235	\$252	\$265	\$278	\$293	\$310	\$334	\$351	\$367	\$418	\$454	\$488	\$527	\$561	\$594	\$629	\$662	

TRADITIONAL – 1x1.5" BLIND SPECIFICATIONS

CORD LOCK SIZE STANDARDS

Minimum	
Minimum Height	6"
Minimum Net Width	8"
Maximum	
Maximum Height	126"
Maximum Width (single blind)	152"
Maximum Width (2 or 3 on 1 headrail)	152"
Maximum Square Feet (single blind)	133 sq ft
Control Requirements	
Split controls L/R Min.	10 1/2"
Wand Left/Lift Right (standard)	
Group controls LL/LR Min.	18 1/8"
Tilt only Net Width	8" - 10 3/8"

LIFT & LOCK™ SIZE STANDARDS

Minimum	
Minimum Height	12"
Minimum Net Width	10 1/2"
Maximum	
Maximum Height	84"
Maximum Width (single blind)	120"
Maximum Width (2 or 3 on 1 headrail)	120"
Maximum Square Feet (single blind)	70 sq ft

MOUNTING REQUIREMENTS

Inside (IB) Mount	
Minimum required depth	1 3/8"
Minimum required depth, flush mount	2 1/4"
Outside (OB) Mount	
Minimum required mounting surface	1 3/8"
Rail-to-mount surface clearance	5/16"
Slat end-to-mount surface clearance	5/16"
Recommended width overlap per side	1 1/2"

FINISHED DIMENSIONS

Inside (IB) Mount	
Headrail width	-1/2"
Slat width	-1/2"
Blind height	ordered height
Outside (OB) Mount	
Headrail width	ordered width
Slat width	ordered width
Blind height	ordered height

Note: Measurements represent difference of total headrail or slat length (including end caps) from ordered width.

INSTALLATION BRACKETS & SUPPORTS

Install Brackets	
Standard	1 pair
Support Brackets	
Finished Width	Number of Brackets
48" - 84"	1
84 1/8" to 120"	2
Over 120"	3

STACKING HEIGHTS (APPROXIMATE)

Blind Height	Stacks To
36"	3"
48"	3 1/2"
60"	4"
72"	4 1/2"
84"	5"
96"	5 1/2"
108"	6"
120"	6 1/2"
126"	6 3/4"

CONTROL OPTIONS

Standard
Tilt wand left (L), pull cord right (R)

Optional
Tilt wand (R), pull cord (L)
Tilt wand (R), pull cord (R)
Tilt wand (L), pull cord (L)

Control Positions
8 1/8" to 10 1/2" FINISHED width, center tilt or no tilt (no lift cord)

10 5/8" to 18 1/8" FINISHED, must be split L/R or R/L

18 1/4" FINISHED width or greater, controls can be L/R, R/L, L/L, or R/R

Note: Unless otherwise specified, pull cord length will match wand length. Minimum pull cord and wand length is 12".

LIFT & LOCK™ CONTROL OPTIONS

Standard
Tilt wand left (L)

Optional
Tilt wand (R)

Lift & Lock not available on the Basic 8 Gauge.)

WAND LENGTH STANDARDS

Blind Height	Wand Length
6" to 22"	12"
22 1/8" to 37"	20"
37 1/8" to 52"	30"
52 1/8" to 67"	40"
67 1/8" to 82"	50"
82 1/8" to 126"	60"

Note: Any wand length listed above may be chosen to override the supplied standard wand length. Additional wand lengths: 70", 78", 90" or 120".

LADDER STANDARDS

Finished Width	Number of Ladders
Up to 36"	2
36 1/8" to 60"	3
60 1/8" to 84"	4
84 1/8" to 108"	5
108 1/8" to 132"	6
132 1/8" to 144"	7

OPTIONAL FEATURES

Lift & Lock™ cordless

No Charge – Specify on Order

2 slat valance & clips

Channel valance

Hold-down brackets

3/8" spacer blocks

Extension brackets

Non-standard cord length

Non-standard wand length

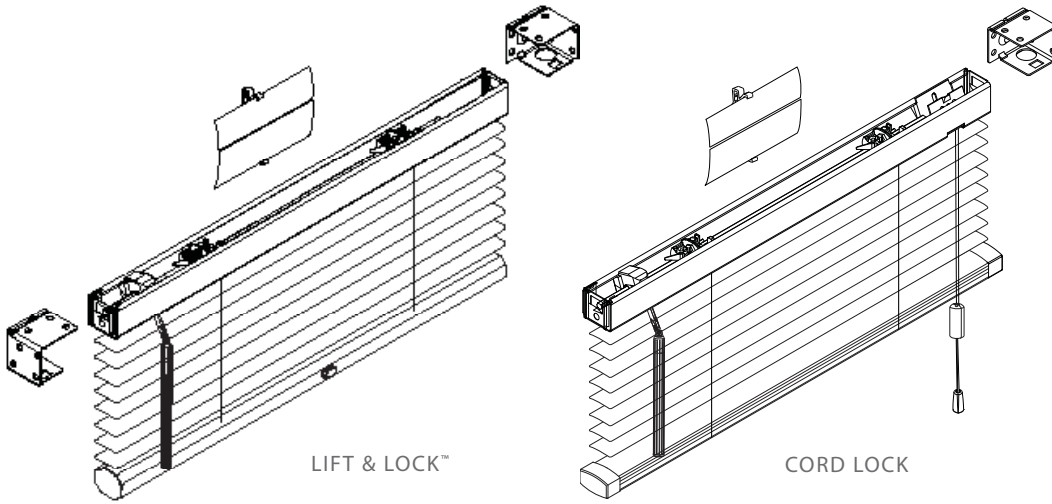
Multiple blinds on one headrail

Cut-outs

HOW TO PRICE

- Important Note! All base prices are predicated on Ordered Dimensions, not Finished Dimensions.
- Multiple blinds on 1 headrail – price each blind individually and add together for total price.
- Base prices for 1" Traditional blinds are shown on price chart T6 and T8.
- Lift & Lock™ cordless surcharge added to each blind ordered when selected as an option.

BASIC – 1x1" BLIND



B6 BASIC

- LIFT & LOCK™ CORDLESS AVAILABLE
- 1X1 RAIL SYSTEM
- 6 OR 8 GAUGE 1" SLAT
- 22MM LADDER SPACING
- BOX BRACKETS & METAL END STIFFENER
- 2 SLAT VALANCE & CLIPS
- LOCK SEAM BOTTOMRAIL
- AVAILABLE IN 31 COLORS



CORDLESS SURCHARGE OPTION

Lift & Lock™Price as standard blind and add \$133 (only available on B6)

B6 BASIC 6 Gauge | 1 INCH BLIND

Width	23"	26"	29"	32"	36"	40"	44"	48"	52"	57"	62"	67"	72"	82"	92"	102"	112"	122"	132"	142"
42"	87	93	103	110	124	134	147	153	163	190	199	211	223	254	277	319	385	416	445	469
48"	93	103	118	120	141	147	161	172	180	207	221	234	250	277	308	347	422	455	482	513
54"	103	118	124	130	147	161	174	184	199	223	242	254	271	304	337	374	453	488	519	552
60"	114	120	130	145	161	174	188	199	215	242	259	275	292	331	364	412	486	529	563	596
66"	120	130	145	153	174	188	199	217	228	259	275	294	314	352	391	438	519	563	600	637
72"	128	141	151	163	180	199	215	228	244	277	298	314	337	378	418	472	552	600	645	680
78"	134	147	161	174	194	211	228	244	261	294	314	337	358	405	445	503	585	637	697	720
84"	145	157	172	184	207	221	242	259	277	314	335	358	378	428	472	532	618	676	720	763
90"	151	163	178	194	217	238	254	275	292	331	352	378	401	453	503	563	654	709	757	807
96"	161	174	188	205	228	250	271	287	308	347	372	399	426	478	529	594	687	747	794	850
108"	168	180	199	215	242	261	281	304	325	364	395	418	445	505	558	623	720	780	838	887
114"	174	190	207	223	250	275	298	321	341	383	412	438	469	529	585	654	753	821	877	935
120"	180	199	217	234	265	287	312	335	358	401	428	461	488	552	610	687	786	856	914	974
132"	188	207	228	244	275	298	325	347	374	418	449	478	509	579	639	720	821	891	953	1,013
144"	199	217	238	254	287	314	337	364	391	434	469	503	536	602	666	747	854	927	995	1,059

B8 BASIC 8 Gauge | 1 INCH BLIND

Width	23"	26"	29"	32"	36"	40"	44"	48"	52"	57"	62"	67"	72"	82"	92"	102"	112"	122"	132"	142"
42"	\$99	\$106	\$117	\$125	\$141	\$152	\$167	\$174	\$185	\$226	\$240	\$240	\$253	\$289	\$315	\$363	\$438	\$473	\$506	\$533
48"	\$106	\$117	\$134	\$136	\$160	\$167	\$183	\$195	\$205	\$251	\$266	\$266	\$284	\$315	\$350	\$394	\$480	\$517	\$548	\$583
54"	\$117	\$134	\$141	\$148	\$167	\$183	\$198	\$209	\$226	\$275	\$289	\$289	\$308	\$345	\$383	\$425	\$515	\$555	\$590	\$627
60"	\$130	\$136	\$148	\$165	\$183	\$198	\$214	\$226	\$244	\$294	\$313	\$313	\$332	\$376	\$414	\$468	\$552	\$601	\$640	\$677
66"	\$136	\$148	\$165	\$174	\$198	\$214	\$226	\$247	\$259	\$313	\$334	\$334	\$357	\$400	\$444	\$498	\$590	\$640	\$682	\$701
72"	\$145	\$160	\$172	\$185	\$205	\$226	\$244	\$259	\$277	\$339	\$357	\$357	\$383	\$430	\$475	\$536	\$627	\$682	\$733	\$773
78"	\$152	\$167	\$183	\$198	\$220	\$240	\$259	\$277	\$297	\$357	\$383	\$383	\$407	\$460	\$506	\$572	\$665	\$701	\$792	\$818
84"	\$165	\$178	\$195	\$209	\$235	\$251	\$275	\$294	\$315	\$381	\$407	\$405	\$430	\$486	\$536	\$605	\$702	\$768	\$818	\$867
90"	\$172	\$183	\$202	\$220	\$247	\$270	\$289	\$313	\$332	\$400	\$430	\$430	\$456	\$515	\$572	\$640	\$743	\$806	\$860	\$917
96"	\$206	\$198	\$214	\$233	\$259	\$284	\$308	\$326	\$350	\$423	\$453	\$453	\$484	\$543	\$601	\$675	\$781	\$849	\$902	\$966
108"	\$191	\$205	\$226	\$244	\$275	\$297	\$319	\$345	\$369	\$449	\$475	\$475	\$506	\$574	\$634	\$708	\$818	\$886	\$952	\$1,008
114"	\$198	\$216	\$235	\$253	\$284	\$313	\$339	\$365	\$388	\$468	\$498	\$498	\$533	\$601	\$665	\$743	\$856	\$933	\$997	\$1,063
120"	\$205	\$226	\$247	\$266	\$301	\$326	\$355	\$381	\$407	\$486	\$524	\$524	\$555	\$627	\$693	\$781	\$893	\$973	\$1,039	\$1,107
132"	\$214	\$235	\$259	\$277	\$313	\$339	\$369	\$394	\$424	\$510	\$543	\$543	\$578	\$658	\$726	\$818	\$933	\$1,013	\$1,083	\$1,170
144"	\$226	\$247	\$270	\$289	\$326	\$357	\$383	\$414	\$444	\$533	\$572	\$572	\$609	\$684	\$757	\$849	\$970	\$1,053	\$1,131	\$1,203

BASIC – 1x1" BLIND SPECIFICATIONS

CORD LOCK SIZE STANDARDS

Minimum	
Minimum Height	6"
Minimum Net Width	8"
Maximum	
Maximum Height	126"
Maximum Width (single blind)	144"
Maximum Width (2 or 3 on 1 headrail)	144"
Maximum Square Feet (single blind)	126 sq ft
Control Requirements	
Split controls L/R Min.	10 1/2"
Wand Left/Lift Right (standard)	
Group controls LL/LR Min.	18 1/8"
Tilt only Net Width	8" - 10 3/8"

LIFT & LOCK™ SIZE STANDARDS

Minimum	
Minimum Height	12"
Minimum Net Width	10 1/2"
Maximum	
Maximum Height	84"
Maximum Width (single blind)	120"
Maximum Width (2 or 3 on 1 headrail)	120"
Maximum Square Feet (single blind)	70 sq ft

MOUNTING REQUIREMENTS

Inside (IB) Mount	
Minimum required depth	7/8"
Minimum required depth, flush mount	1 1/4"
Outside (OB) Mount	
Minimum required mounting surface	5/8"
Rail-to-mount surface clearance	5/16"
Slat end-to-mount surface clearance	5/16"
Recommended width overlap per side	1 1/2"

FINISHED DIMENSIONS

Inside (IB) Mount	
Headrail width	-1/2"
Slat width	-1/2"
Blind height	ordered height
Outside (OB) Mount	
Headrail width	ordered width
Slat width	ordered width
Blind height	ordered height

Note: Measurements represent difference of total headrail or slat length (including end caps) from ordered width.

INSTALLATION BRACKETS & SUPPORTS

Install Brackets	
Standard	1 pair
Support Brackets	
Finished Width	Number of Brackets
48" - 84"	1
84 1/8" to 120"	2
Over 120"	3

STACKING HEIGHTS (APPROXIMATE)

Blind Height	Stacks To
36"	3"
48"	3 1/2"
60"	4"
72"	4 1/2"
84"	5"
96"	5 1/2"
108"	6"
120"	6 1/2"
126"	6 3/4"

CORD LOCK CONTROL OPTIONS

Standard
Tilt wand left (L), pull cord right (R)
Optional
Tilt wand (R), pull cord (L)
Tilt wand (R), pull cord (R)
Tilt wand (L), pull cord (L)
Control Positions
8 1/8" to 10 1/2" FINISHED width, center tilt or no tilt (no lift cord)
10 5/8" to 18 1/8" FINISHED, must be split L/R or R/L
18 1/4" FINISHED width or greater, controls can be L/R, R/L, L/L, or R/R
Note: Unless otherwise specified, pull cord length will match wand length. Minimum pull cord and wand length is 12".

LIFT & LOCK™ CONTROL OPTIONS

Standard
Tilt wand left (L)
Optional
Tilt wand (R)

WAND LENGTH STANDARDS

Blind Height	Wand Length
6" to 22"	12"
22 1/8" to 37"	20"
37 1/8" to 52"	30"
52 1/8" to 67"	40"
67 1/8" to 82"	50"
82 1/8" to 126"	60"

Note: Any wand length listed above may be chosen to override the supplied standard wand length. Additional wand lengths: 70", 78", 90" or 120".

LADDER STANDARDS

Finished Width	Number of Ladders
Up to 36"	2
36 1/8" to 60"	3
60 1/8" to 84"	4
84 1/8" to 108"	5
108 1/8" to 132"	6
132 1/8" to 144"	7

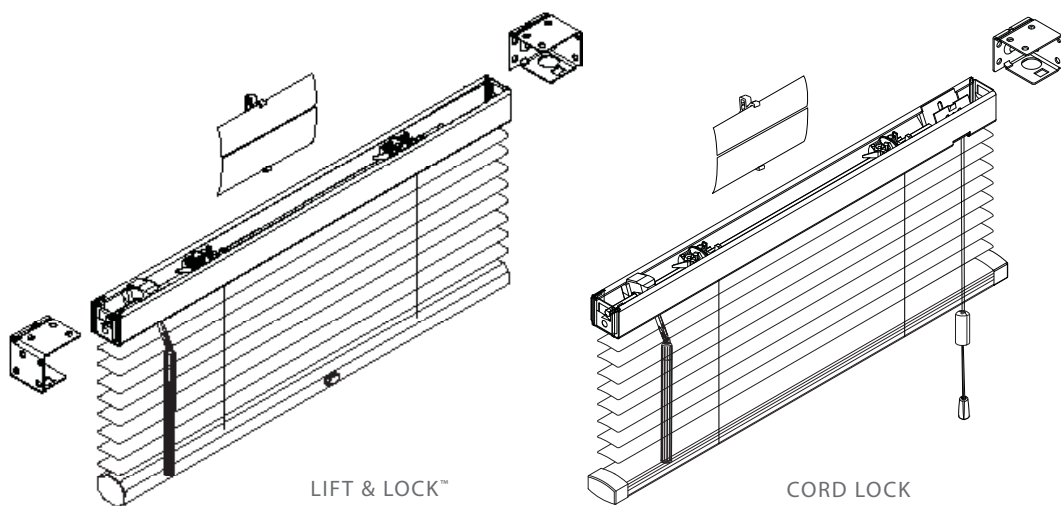
OPTIONAL FEATURES

- Lift & Lock™ cordless
- No Charge – Specify on Order
- Hold-down brackets
- 3/8" spacer blocks
- Extension brackets
- Non-standard cord length
- Non-standard wand length
- Multiple blinds on one headrail
- Cut-outs

HOW TO PRICE

- Important Note! All base prices are predicated on Ordered Dimensions, not Finished Dimensions.
- Multiple blinds on 1 headrail – price each blind individually and add together for total price.
- Base prices for 1" Basic blinds are shown on price chart B6.
- Lift & Lock™ cordless surcharge added to each blind ordered when selected as an option.

VALUE – 1x1" BLIND



V6 VALUE

- LIFT & LOCK™ CORDLESS AVAILABLE
- 1X1 RAIL SYSTEM
- 6 GAUGE 1" SLAT
- 23MM LADDER SPACING
- BOX BRACKETS & METAL END STIFFENER
- 2 SLAT VALANCE & CLIPS
- LOCK SEAM BOTTOMRAIL
- AVAILABLE IN 6 COLORS



CORDLESS SURCHARGE OPTION

Lift & Lock™ Price as standard blind and add \$133

V6 VALUE 1 INCH BLIND		12"	24"	28"	32"	36"	40"	44"	48"	52"	57"	62"	67"	72"	82"	92"	102"	112"	122"	132"	144"
Height To	42"	\$82	\$95	\$99	\$104	\$111	\$131	\$135	\$139	\$143	\$150	\$171	\$177	\$194	\$209	\$235	\$267	\$295	\$318	\$329	\$350
	48"	\$84	\$97	\$102	\$106	\$114	\$134	\$142	\$146	\$151	\$158	\$180	\$186	\$203	\$219	\$246	\$278	\$308	\$332	\$343	\$365
	54"	\$86	\$101	\$105	\$110	\$118	\$138	\$143	\$147	\$152	\$160	\$182	\$188	\$206	\$223	\$251	\$284	\$314	\$339	\$351	\$373
	60"	\$87	\$102	\$108	\$113	\$121	\$142	\$147	\$151	\$156	\$164	\$187	\$194	\$212	\$229	\$258	\$291	\$323	\$348	\$361	\$390
	66"	\$93	\$109	\$115	\$120	\$129	\$150	\$155	\$160	\$165	\$174	\$197	\$204	\$222	\$240	\$270	\$304	\$337	\$363	\$382	\$406
	72"	\$94	\$111	\$117	\$123	\$131	\$153	\$159	\$164	\$169	\$178	\$202	\$209	\$228	\$247	\$277	\$312	\$345	\$378	\$392	\$417
	78"	\$98	\$116	\$122	\$127	\$136	\$158	\$164	\$170	\$176	\$185	\$209	\$216	\$235	\$255	\$286	\$322	\$356	\$389	\$404	\$431
	84"	\$99	\$118	\$124	\$130	\$139	\$162	\$168	\$173	\$180	\$189	\$214	\$222	\$241	\$261	\$293	\$330	\$365	\$399	\$415	\$442
	90"	\$100	\$120	\$126	\$133	\$142	\$165	\$171	\$177	\$184	\$193	\$219	\$227	\$247	\$268	\$300	\$338	\$374	\$408	\$425	\$453
	96"	\$101	\$121	\$128	\$135	\$144	\$168	\$174	\$181	\$187	\$197	\$223	\$231	\$252	\$273	\$306	\$344	\$382	\$416	\$433	\$462
	102"	\$102	\$123	\$130	\$137	\$147	\$171	\$178	\$184	\$191	\$202	\$228	\$237	\$257	\$279	\$314	\$352	\$390	\$426	\$444	\$473
	108"	\$103	\$125	\$133	\$140	\$150	\$174	\$181	\$188	\$195	\$206	\$233	\$242	\$263	\$286	\$321	\$360	\$399	\$435	\$454	\$485
	114"	\$104	\$127	\$135	\$142	\$153	\$177	\$185	\$192	\$200	\$210	\$238	\$247	\$268	\$292	\$328	\$368	\$408	\$445	\$464	\$496
	120"	\$105	\$129	\$137	\$145	\$156	\$180	\$188	\$196	\$204	\$215	\$242	\$252	\$274	\$298	\$335	\$375	\$416	\$454	\$474	\$507
	126"	\$107	\$131	\$139	\$147	\$159	\$184	\$192	\$199	\$208	\$219	\$247	\$258	\$279	\$305	\$342	\$383	\$425	\$464	\$484	\$518

VALUE – 1x1" BLIND SPECIFICATIONS

CORD LOCK SIZE STANDARDS

Minimum	
Minimum Height	6"
Minimum Net Width	8"
Maximum	
Maximum Height	126"
Maximum Width (single blind)	144"
Maximum Width (2 or 3 on 1 headrail)	144"
Maximum Square Feet (single blind)	126 sq ft
Control Requirements	
Split controls L/R Min.	10 1/2"
Wand Left/Lift Right (standard)	
Group controls LL/LR Min.	18 1/8"
Tilt only Net Width	8" - 10 3/8"

LIFT & LOCK™ SIZE STANDARDS

Minimum	
Minimum Height	12"
Minimum Net Width	10 1/2"
Maximum	
Maximum Height	84"
Maximum Width (single blind)	120"
Maximum Width (2 or 3 on 1 headrail)	120"
Maximum Square Feet (single blind)	70 sq ft

MOUNTING REQUIREMENTS

Inside (IB) Mount	
Minimum required depth	7/8"
Minimum required depth, flush mount	1 1/4"
Outside (OB) Mount	
Minimum required mounting surface	5/8"
Rail-to-mount surface clearance	5/16"
Slat end-to-mount surface clearance	5/16"
Recommended width overlap per side	1 1/2"

FINISHED DIMENSIONS

Inside (IB) Mount	
Headrail width	-1/2"
Slat width	-1/2"
Blind height	ordered height
Outside (OB) Mount	
Headrail width	ordered width
Slat width	ordered width
Blind height	ordered height

Note: Measurements represent difference of total headrail or slat length (including end caps) from ordered width.

INSTALLATION BRACKETS & SUPPORTS

Install Brackets	
Standard	1 pair
Support Brackets	
Finished Width	Number of Brackets
48" - 84"	1
84 1/8" to 120"	2
Over 120"	3

STACKING HEIGHTS (APPROXIMATE)

Blind Height	Stacks To
36"	3"
48"	3 1/2"
60"	4"
72"	4 1/2"
84"	5"
96"	5 1/2"
108"	6"
120"	6 1/2"
126"	6 3/4"

CONTROL OPTIONS

Standard
Tilt wand left (L), pull cord right (R)

Optional
Tilt wand (R), pull cord (L)
Tilt wand (R), pull cord (R)
Tilt wand (L), pull cord (L)

Control Positions
8 1/8" to 10 1/2" FINISHED width, center tilt or no tilt (no lift cord)

10 5/8" to 18 1/8" FINISHED, must be split L/R or R/L

18 1/4" FINISHED width or greater, controls can be L/R, R/L, L/L, or R/R

Note: Unless otherwise specified, pull cord length will match wand length. Minimum pull cord and wand length is 12".

LIFT & LOCK™ CONTROL OPTIONS

Standard
Tilt wand left (L)

Optional
Tilt wand (R)

WAND LENGTH STANDARDS

Blind Height	Wand Length
6" to 22"	12"
22 1/8" to 37"	20"
37 1/8" to 52"	30"
52 1/8" to 67"	40"
67 1/8" to 82"	50"
82 1/8" to 126"	60"

Note: Any wand length listed above may be chosen to override the supplied standard wand length. Additional wand lengths: 70", 78", 90" or 120".

LADDER STANDARDS

Finished Width	Number of Ladders
Up to 36"	2
36 1/8" to 60"	3
60 1/8" to 84"	4
84 1/8" to 108"	5
108 1/8" to 132"	6
132 1/8" to 144"	7

OPTIONAL FEATURES

Lift & Lock™ cordless

No Charge – Specify on Order

Hold-down brackets

3/8" spacer blocks

Extension brackets

Non-standard cord length

Non-standard wand length

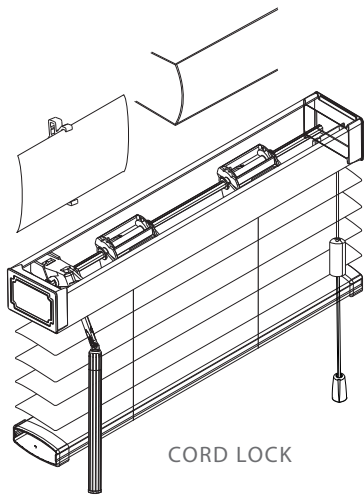
Multiple blinds on one headrail

Cut-outs

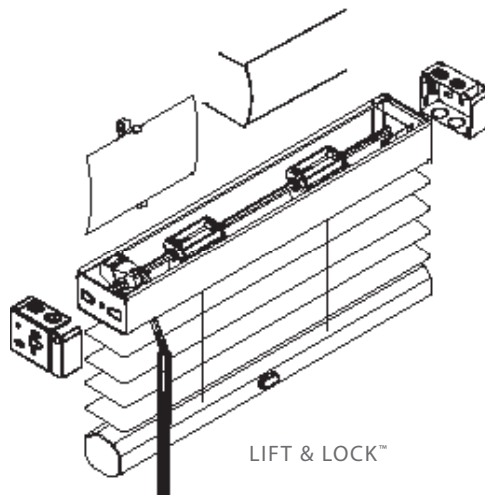
HOW TO PRICE

- Important Note! All base prices are predicated on Ordered Dimensions, not Finished Dimensions.
- Multiple blinds on 1 headrail – price each blind individually and add together for total price.
- Base prices for 1" Value blinds are shown on price chart V6.
- Lift & Lock™ cordless surcharge added to each blind ordered when selected as an option.

MACRO – 2" BLIND



CORD LOCK



LIFT & LOCK™

M2 MACRO 2"

- LIFT & LOCK™ CORDLESS AVAILABLE
- 2" LOW PROFILE RAIL SYSTEM
- 8 GAUGE 2" SLAT
- PRIVACY OR TRADITIONAL ROUTE
- 42MM LADDER SPACING
- SLAT VALANCE & CLIPS OR CHANNEL VALANCE
- WAND TILT OR CORD TILT
- BOX BRACKETS & END STIFFENER
- AVAILABLE IN 18 COLORS



CORDLESS SURCHARGE OPTION

Lift & Lock™Price as standard blind and add \$133

M2	MACRO 2 INCH BLIND PRIVACY																				
Width	12"	24"	28"	32"	36"	40"	44"	48"	52"	57"	62"	67"	72"	82"	92"	102"	112"	122"	132"	144"	
Height To	42"	\$144	\$170	\$178	\$186	\$199	\$207	\$216	\$230	\$239	\$251	\$262	\$272	\$295	\$332	\$353	\$397	\$419	\$465	\$486	\$500
	48"	\$146	\$173	\$182	\$191	\$204	\$213	\$222	\$238	\$247	\$260	\$271	\$282	\$305	\$344	\$367	\$412	\$435	\$483	\$506	\$522
	54"	\$150	\$178	\$188	\$198	\$211	\$221	\$230	\$246	\$256	\$270	\$281	\$293	\$317	\$358	\$382	\$429	\$453	\$502	\$526	\$544
	60"	\$152	\$181	\$191	\$201	\$215	\$225	\$235	\$252	\$262	\$276	\$289	\$301	\$325	\$367	\$392	\$440	\$465	\$516	\$541	\$560
	66"	\$158	\$190	\$201	\$211	\$226	\$236	\$247	\$264	\$274	\$289	\$302	\$316	\$340	\$384	\$410	\$460	\$486	\$539	\$565	\$586
	72"	\$160	\$193	\$204	\$215	\$230	\$241	\$252	\$270	\$280	\$296	\$310	\$323	\$349	\$393	\$421	\$471	\$499	\$552	\$580	\$602
	78"	\$168	\$203	\$214	\$226	\$241	\$253	\$264	\$283	\$294	\$310	\$325	\$339	\$365	\$412	\$440	\$492	\$521	\$576	\$605	\$628
	84"	\$170	\$207	\$219	\$231	\$247	\$259	\$271	\$290	\$302	\$319	\$334	\$349	\$376	\$424	\$454	\$507	\$537	\$594	\$624	\$650
	90"	\$172	\$210	\$222	\$235	\$251	\$263	\$276	\$296	\$308	\$325	\$341	\$357	\$384	\$433	\$464	\$519	\$550	\$608	\$639	\$666
	96"	\$167	\$206	\$219	\$233	\$249	\$262	\$275	\$296	\$309	\$327	\$343	\$360	\$388	\$439	\$471	\$527	\$559	\$619	\$652	\$680
	102"	\$169	\$210	\$224	\$237	\$255	\$269	\$282	\$303	\$317	\$336	\$353	\$370	\$398	\$451	\$485	\$542	\$576	\$637	\$671	\$701
	108"	\$172	\$214	\$228	\$242	\$260	\$274	\$288	\$310	\$324	\$343	\$361	\$378	\$407	\$461	\$496	\$554	\$589	\$652	\$687	\$718
	114"	\$174	\$218	\$233	\$247	\$266	\$280	\$295	\$317	\$332	\$352	\$370	\$388	\$418	\$473	\$510	\$569	\$606	\$670	\$706	\$739
	120"	\$179	\$224	\$239	\$253	\$272	\$287	\$302	\$325	\$340	\$361	\$379	\$398	\$428	\$485	\$523	\$583	\$621	\$686	\$723	\$757
	126"	\$181	\$227	\$243	\$258	\$278	\$293	\$309	\$333	\$348	\$369	\$389	\$408	\$439	\$498	\$536	\$598	\$637	\$704	\$743	\$778

M2	MACRO 2 INCH BLIND STANDARD																				
Width	12"	24"	28"	32"	36"	40"	44"	48"	52"	57"	62"	67"	72"	82"	92"	102"	112"	122"	132"	144"	
Height To	42"	\$144	\$169	\$178	\$186	\$199	\$207	\$215	\$230	\$239	\$251	\$261	\$272	\$294	\$332	\$353	\$397	\$418	\$465	\$486	\$500
	48"	\$146	\$173	\$182	\$191	\$204	\$213	\$222	\$237	\$246	\$259	\$271	\$282	\$305	\$344	\$366	\$412	\$435	\$483	\$505	\$521
	54"	\$149	\$178	\$188	\$197	\$211	\$220	\$230	\$246	\$255	\$269	\$281	\$293	\$317	\$357	\$381	\$428	\$452	\$502	\$526	\$543
	60"	\$151	\$181	\$191	\$201	\$215	\$225	\$235	\$252	\$262	\$276	\$288	\$301	\$325	\$367	\$392	\$440	\$465	\$516	\$541	\$560
	66"	\$158	\$190	\$200	\$211	\$225	\$236	\$246	\$264	\$274	\$289	\$302	\$315	\$340	\$384	\$410	\$460	\$486	\$538	\$565	\$585
	72"	\$160	\$193	\$204	\$215	\$229	\$240	\$251	\$269	\$280	\$296	\$309	\$323	\$348	\$393	\$421	\$471	\$498	\$552	\$579	\$601
	78"	\$168	\$202	\$214	\$225	\$241	\$252	\$264	\$282	\$294	\$310	\$324	\$339	\$365	\$411	\$440	\$492	\$521	\$576	\$605	\$628
	84"	\$170	\$206	\$218	\$230	\$246	\$258	\$270	\$290	\$302	\$319	\$334	\$349	\$375	\$423	\$454	\$507	\$537	\$594	\$624	\$649
	90"	\$172	\$209	\$222	\$234	\$251	\$263	\$276	\$295	\$308	\$325	\$341	\$356	\$384	\$433	\$464	\$518	\$550	\$608	\$639	\$665
	96"	\$167	\$206	\$219	\$232	\$249	\$262	\$275	\$296	\$309	\$327	\$343	\$359	\$387	\$438	\$471	\$527	\$559	\$619	\$651	\$679
	102"	\$169	\$210	\$224	\$237	\$255	\$268	\$282	\$303	\$317	\$335	\$352	\$369	\$398	\$450	\$484	\$542	\$576	\$637	\$671	\$700
	108"	\$172	\$214	\$228	\$242	\$260	\$274	\$288	\$309	\$323	\$343	\$360	\$378	\$407	\$461	\$496	\$554	\$589	\$651	\$686	\$717
	114"	\$174	\$218	\$232	\$247	\$265	\$280	\$294	\$317	\$331	\$351	\$369	\$388	\$418	\$473	\$510	\$569	\$605	\$669	\$706	\$738
	120"	\$178	\$223	\$238	\$253	\$272	\$287	\$302	\$325	\$340	\$360	\$379	\$398	\$428	\$485	\$522	\$583	\$620	\$686	\$723	\$757
	126"	\$180	\$227	\$243	\$258	\$278	\$293	\$309	\$332	\$348	\$369	\$388	\$408	\$439	\$497	\$536	\$598	\$637	\$704	\$742	\$778

MACRO – 2" BLIND SPECIFICATIONS

CORD LOCK SIZE STANDARDS

Minimum	
Minimum Height	12"
Minimum Net Width	8"
Maximum	
Maximum Height	126"
Maximum Width (single blind)	144"
Maximum Width (2 or 3 on 1 headrail)	192"
Maximum Square Feet (single blind)	126 sq ft
Control Requirements	
Split controls L/R Min.	10 1/2"
Wand Left/Lift Right (standard)	
Group controls LL/LR Min.	18 1/8"
Tilt only Net Width	8" - 10 3/8"

LIFT & LOCK™ SIZE STANDARDS

Minimum	
Minimum Height	12"
Minimum Net Width	10 1/2"
Maximum	
Maximum Height	84"
Maximum Width (single blind)	144"
Maximum Width (2 or 3 on 1 headrail)	144"
Maximum Square Feet (single blind)	84 sq ft

MOUNTING REQUIREMENTS

Inside (IB) Mount	
Minimum required depth	1 1/8"
Minimum required depth, flush mount	3 3/8"
Outside (OB) Mount	
Minimum required mounting surface	1 3/4"
Recommended width overlap per side	1 1/2"

FINISHED DIMENSIONS

Inside (IB) Mount	
Headrail width	-3/4"
Slat width	-1/2"
Blind height	ordered height
Outside (OB) Mount	
Headrail width	-1/4"
Slat width	ordered width
Blind height	ordered height

Note: Measurements represent difference of total headrail or slat length (including end caps) from ordered width.

INSTALLATION BRACKETS & SUPPORTS

Install Brackets	
Standard	1 pair
Support Brackets	
Finished Width	Number of Brackets
72 1/8" to 96"	1
96 1/8" to 144"	2

STACKING HEIGHTS (APPROXIMATE)

Blind Height	Stacks To
36"	4 1/2"
48"	4 3/4"
60"	5"
72"	5 1/4"
84"	5 1/2"
96"	5 3/4"
108"	6"
120"	6 1/4"
126"	6 1/2"

CONTROL OPTIONS

Standard
Tilt wand left (L), pull cord right (R)

Optional
Tilt wand (R), pull cord (L)
Tilt wand (R), pull cord (R)
Tilt wand (L), pull cord (L)

Control Positions
8 1/8" to 10 1/2" FINISHED width, center tilt or no tilt (no lift cord)

10 1/2" to 22 1/2" FINISHED, must be split L/R or R/L

22 5/8" FINISHED width or greater, controls can be L/R, R/L, L/L, or R/R

Note: Unless otherwise specified, pull cord length will match wand length. Minimum pull cord and wand length is 12".

LIFT & LOCK™ CONTROL OPTIONS

Standard
Tilt wand left (L)

Optional
Tilt wand (R)

WAND LENGTH STANDARDS

Blind Height	Wand Length
6" to 22"	12"
22 1/8" to 37"	20"
37 1/8" to 52"	30"
52 1/8" to 67"	40"
67 1/8" to 82"	50"
82 1/8" to 126"	60"

Note: Any wand length listed above may be chosen to override the supplied standard wand length. Additional wand lengths: 70", 78", 90" or 120".

LADDER STANDARDS

Finished Width	Number of Ladders
Up to 46 1/2"	2
46 5/8" to 80 1/2"	3
80 5/8" to 114 1/2"	4
114 5/8" to 144"	5

OPTIONAL FEATURES

Lift & Lock™ cordless (standard rout only)

No Charge – Specify on Order
Slat valance & clips
Channel valance
Hold-down brackets
3/8" spacer blocks
Extension brackets
Non-standard cord length
Non-standard wand length
Multiple blinds on one headrail
Cut-outs

HOW TO PRICE

- Important Note! All base prices are predicated on Ordered Dimensions, not Finished Dimensions.
- Multiple blinds on 1 headrail – price each blind individually and add together for total price.
- Base prices for 2" Macro blinds are shown on price chart M2.
- Lift & Lock™ cordless surcharge added to each blind ordered when selected as an option.

MEASURING

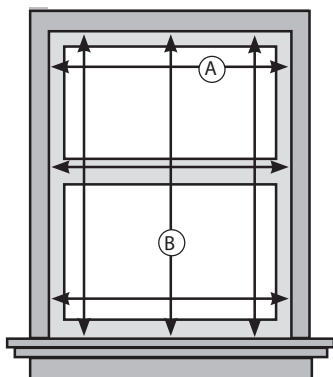
Accurate measurements are essential, for both correct pricing and proper fit. Use only a hard-edged ruler or steel tape, never a cloth tape. For inside mounts, width measurements should be rounded down to the nearest 1/8" to prevent blind from binding against the window casing.

INSIDE MOUNTING (IB)

For WIDTH (A), measure across the window casing from one inside edge to the other in three places, top, middle, and bottom. Record the smallest width rounded down to the nearest 1/8".

For LENGTH (B), measure the inside area from the top inside edge down to the top of the sill in three places, left, middle and right. Record the longest length rounded up to the nearest 1/8".

The factory will make all the necessary deductions for inside mount.



INSIDE BRACKET MOUNTING REQUIREMENTS

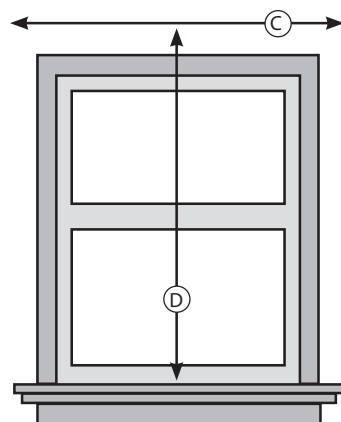
Deluxe.....Pg 7
 Traditional.....Pg 9
 Basic.....Pg 11
 Value.....Pg 13
 Macro.....Pg 15

OUTSIDE MOUNTING (OB)

For WIDTH (C), measure from one edge of the casing to the other, then add a minimum of 4" (2" each side), for blind overlap. Record the measurement rounded up to the nearest 1/8".

For LENGTH (D), measure from the top of the window sill up to the desired top of the blind. Again, record the measurements rounded up to the nearest 1/8".

Outside mounted blinds are fabricated to order dimensions.



OUTSIDE BRACKET MOUNTING REQUIREMENTS

Deluxe.....Pg 7
 Traditional.....Pg 9
 Basic.....Pg 11
 Value.....Pg 13
 Macro.....Pg 15

ORDERING GUIDELINES

When ordering aluminum horizontal blinds, make sure to provide all the necessary information on your order including:

Desired Blind Style Name plus:
 Privacy, Standard Rout Holes, Slat Size, etc.

Correct Size:
 Width x Length

Color Name and Color Number

Cut-outs

Multiple Blinds on one Headrail

Deluxe Groover Type Valance

Base Price (determined by price chart)

Type of Mounting the blind requires:

Inside (IB)
 Outside (OB)

Control Position (Left or Right)

Extension Brackets or Spacer Blocks for desired window/wall clearance

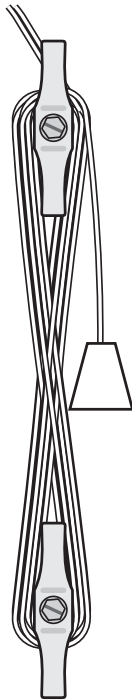
Specifications for:
 Cut-Outs (include diagram)
 Multiple Blinds on One Headrail (width and position of each blind)

CHILD SAFETY, CARE & WARRANTY

CHILD SAFETY

Our Aluminum Premier Collection is designed with child safety as a priority. To reduce the risk of strangulation our fabrication methods incorporate features to comply with the current ANSI cord safety standard. Fabrication methods include cord stops, Cord-Shield cording, and tension devices.

To further reduce the risk of accidents, all cords should be kept out of the reach of children. Cord cleats can help implement this essential precaution and are therefore included with all standard cord lock/pull cord Aluminum Premier Collection products. The cord cleat should be mounted at a safe height, taking into account furniture or other objects upon which a child may climb.



After each use of the shade, excess cord should be wrapped around the cleat, out of the reach of children.

For blinds and shades made with a clutch operating system, our tension device is designed, and is to be placed and shipped, so that unless it is properly installed (or altered from the shipped condition with sequential process or tools), it prevents the shade from operating. The tension device, once installed, can help prevent children from pulling cords around their necks.

CARE & CLEANING

ROUTINE CLEANING

Aluminum Premier Blinds are easy to care for. Occasional dusting with a feather duster or low suction vacuuming with a brush attachment is all that is needed to keep the blind looking new. They may also be gently cleaned with a soft cloth using an over-the-counter blind cleaner.

MORE THOROUGH CLEANING

Aluminum Premier Blinds may be taken down and dipped in the bathtub using a mild detergent.

PROFESSIONAL CLEANING

Aluminum Premier Blinds may be ultrasonically cleaned for superior results.

LIMITED LIFETIME WARRANTY

ALUMINUM PREMIER BLINDS carry a limited lifetime warranty that covers the blinds for as long as the original retail purchaser owns them, provided that the blinds were properly installed. It's your customer's assurance of satisfaction and quality.



Our clutch operating system available for the Aluminum Premier Collection is Best For Kids™ certified.

ORDER FORM



PREMIER COLLECTION

Date: _____ **Charge to customer:** _____ **Ship to:** _____
PO #: _____ **Name:** _____ **Contact Name:** _____
Site/Mark: _____ **Address:** _____ **Address:** _____
Order #: _____ **City/State/Zip:** _____ **City/State/Zip:** _____
Customer PO#: _____
Page of : _____

Special Notes

Qty.	Blind Type			Color	Mounting Style	Dimension		Left to lead	Control Position	Hold System	Spacer	Extension	Cut Out	Volume	Channel	2 on 1	3 on 1	Priority	
	Blank	Drum	Motor			Teeth	Volts												Width
1																			
2																			
3																			
4																			
5																			
6																			
7																			
8																			
9																			
10																			

Sales@Oxford-House.com or
 fax to 765-884-3274