



# Verticals & PVC Horizontals



**3 1/2" Fabric Verticals  
2" and 3 1/2" PVC Verticals with  
Matching 2" PVC Horizontals**

**Retail Price List 2-26-18**

Prices subject to change without notice

## Terms of Sale and Freight

### PRICE QUOTATION

To ensure order accuracy, please use the correct order form. The blank order form can be found at the back of the price book. Make copies to create additional blank order forms.

### EMAIL or FAX ORDERS

Dealers are able to submit orders by email or fax. Sales@Oxford-House.com Fax 765-884-3274

### CONTRACT QUOTE POLICY

Commercial quotes available for 20 units or more of the same product type.

Commercial quotes are valid for 30 days.

Shipping date will be confirmed after receipt of order and is subject to inventory availability, total units, production and scheduling considerations. Any change, including but not limited to size, color, controls, quantity, ship to location, ship date or number of shipment, may result in a change in price.

A 50% deposit is required on all quotes of \$5,000.00 or more.

### ORDER TRACKING & ORDER STATUS

Order confirmations are sent via email or fax within 24 hours of placing order. Please make sure you have your email & fax number on file with us. To track your order or check the status, please contact customer service and provide them with the work order number.

### STANDARD SHIPPING & HANDLING, DELIVERY & FREIGHT POLICIES

\$ 4.25 handling per unit shipping to commercial addresses

\$5.25 handling per unit shipping to residential addresses.

Mid-Size shipping (60" up to 90" ) \$6.50 per order

Oversize (90" up to 116") \$80.00 per order.

Common Carrier shipping for items 116" and over, please contact customer service for details.

For express shipment, shipment to Alaska, Hawaii and foreign countries, freight will be quoted separately.

Freight collect orders and using a preferred carrier is optional.

Orders of parts & pieces only will be invoice full shipping charges. This includes headrails, vanes, valance only etc..

### CANCELLATION OR CHANGE ORDER

IMPORTANT! Due to the custom nature of our products, we cannot accept changes or cancellations after orders have been put into production

### LEAD TIME

Typically, orders (less than 15 units) are manufactured and shipped within 5 business days. All orders are subject to inventory availability. Orders placed after 2:00 p.m. EST are considered as next day business.

### FREIGHT DAMAGE & SHORTAGES

Please inspect all shipments immediately and carefully. Please report damages and shortages on the delivery receipt and notify Oxford House customer service within 48 hours. No freight damage claim will be accepted after 10 days from shipping.

## Vertical Pattern Price Index

3

PVC Pattern Name	Price Group	2" Available	PVC Pattern Name	Price Group	2" Available	Fabric Pattern Name	Price Group
Aspen	E		Monaco	E		Arial	6
Bali	E		Natural Weave	E		Calgary (FR)	5
Beckley	E		Nevar	E		Cascade	5
Bella	E		Nouveau	E		Ellie	1
Brighten	C		Odette	E		Etamine	4
Brynmore	B		Parchment	C		Itaca	3
Cadiz	C	Yes	Penland	B		Groover (Empty)	B
Cala	C		Perforated	D		Jakarta	6
Carrara	E		Pinnacle	B		Miami	5
Casual Wood	B		Ridgeway II	B		Mistral	4
Challenger	A		Rio	E		Olympic	4
Cisco	C		Riva	D		Quebec (FR)	5
Corly	D		Rustic	D	Yes	Roma	4
Crawford	C		Savannah	B		South Beach Blackout	3
Emerson	C		Sedona	D		Toronto	4
Fresno	E	Yes	Shannon	E		Venice	4
Griffin	C		Somerset	C		Vision 550	6
Hamilton	B		Standard II - Curved	A	Yes	Vision Crystal 550	6
Hampton-also S shaped	E	Yes	Standard - Flat	A		Vision Calico 550	6
Jubilee	E		Tiki	E		Westbrook	6
Keona	C		Valentino-also S shaped	E		Whisper	1
Larissa-also S shaped	E		Waterford-also S shaped	E			
Leisure Wood	B		Westfield	D			
Leno	D		Wilde Wood	D	Yes		
Lindy	E		Willow	E			
Madiera	D	Yes					
Metallic Rio	E						
Mia	C						

### GENERAL INFORMATION

Color Matching: To insure color match, all verticals must be ordered at same time. Colors and Styles subject to change without notice.

Free Hang Verticals (FH) will be shipped with sewn-in weights as standard unless specified other wise.

Please examine all merchandise and packages for accuracy and to make sure all parts, brackets, etc. are included before sending them to be installed. While we constantly strive to make sure each order is exact and complete, we do occasionally make mistakes, and we cannot be responsible for trip charges or reinstallation charges.

Heat registers, electric baseboard heat, or other heat sources can give off heat that is intense enough to scorch fabrics, warp or melt PVC vanes or groover channels. Please allow clearance around these heat sources to avoid these problems.

### TERMS OF SALE

Cancellations: Orders cannot be cancelled after goods are cut.

Minimum invoice amount is \$10.00

**RETURNS:** Due to the custom nature of our products, we do not accept returns for credit. For repair and returns, prior authorization is needed. Call Customer Service for details.

**CLAIMS:** All claims, i.e., shortages, concealed damages, or credits must be made within 10 days of invoice. Consignee responsible for notating damage on any item they sign for.

**72 HOUR RUSH ORDERS:** At your request, we will give your order special handling and ship within 3 production days. The extra charge is \$10 net per blind, with a \$25 minimum per order.

# 3 1/2" PVC Verticals

Group A																		Single Vanes
WIDTH TO:	25"	38"	50"	63"	75"	78"	85"	88"	100"	113"	125"	138"	150"	163"	175"	188"	191"	
48"	195	239	282	325	365	389	410	412	452	492	533	577	619	660	703	745	755	12
60"	205	252	299	346	390	415	439	439	483	529	573	622	667	713	761	806	816	13
72"	214	263	316	365	416	443	467	469	539	614	673	726	776	837	902	963	986	15
84"	222	276	332	386	439	467	495	499	569	651	716	771	826	890	958	1021	1047	16
96"	231	287	349	407	463	492	525	533	607	690	759	820	877	947	1020	1090	1117	17
108"	239	299	365	427	490	521	553	561	639	726	800	864	925	1000	1077	1151	1179	18
120"	247	312	382	447	512	544	583	591	672	762	838	911	975	1051	1134	1211	1242	19
132"	254	325	399	467	536	571	610	620	704	800	881	954	1023	1106	1191	1273	1302	20
144"	261	336	415	490	561	597	639	649	737	836	921	999	1072	1159	1246	1334	1364	21
Dust Cover Valance	34	42	54	63	76	81	88	92	99	109	121	132	144	153	165	177	180	0
Laserlite Single	92	103	129	160	190	203	217	220	245	276	304	332	362	392	417	447	452	0
Double	146	176	218	264	307	327	352	357	380	427	470	516	560	605	648	695	704	0

Group B																		Single Vanes
WIDTH TO:	25"	38"	50"	63"	75"	78"	85"	88"	100"	113"	125"	138"	150"	163"	175"	188"	191"	
48"	225	281	340	396	452	481	509	512	564	621	674	734	790	844	902	958	973	13
60"	242	304	368	426	483	515	525	544	602	660	717	779	837	895	956	1013	1029	15
72"	252	314	379	438	498	530	542	563	623	686	743	809	868	928	994	1053	1068	16
84"	260	319	388	452	514	548	561	582	643	708	770	838	902	963	1030	1095	1111	17
96"	264	330	400	465	530	565	579	601	665	731	805	867	932	999	1068	1133	1150	19
108"	269	338	409	480	546	581	597	619	687	754	824	898	965	1033	1106	1173	1190	20
120"	276	345	419	491	561	597	616	637	708	808	849	926	996	1068	1141	1233	1248	21
132"	279	353	431	504	579	616	634	656	728	847	890	976	1045	1125	1201	1250	1272	22
144"	286	362	439	518	594	632	651	674	750	858	926	1014	1090	1187	1209	1339	1391	24
Dust Cover Valance	37	46	60	69	83	89	97	101	108	121	134	145	158	169	182	195	198	0
Laserlite Single	101	112	135	162	189	201	215	217	240	265	291	317	343	371	395	422	428	0
Double	159	179	221	267	310	330	355	360	398	445	487	533	576	622	664	711	720	0

Group C																		Single Vanes
WIDTH TO:	25"	38"	50"	63"	75"	78"	85"	88"	100"	113"	125"	138"	150"	163"	175"	188"	191"	
48"	269	338	407	474	544	579	615	618	682	753	820	894	961	1030	1102	1171	1188	15
60"	287	365	443	518	592	630	673	674	746	820	894	974	1046	1120	1198	1275	1293	17
72"	301	381	465	544	641	682	707	711	806	918	1012	1096	1175	1242	1365	1458	1491	18
84"	310	398	483	570	673	717	743	746	847	967	1064	1154	1237	1322	1436	1535	1569	19
96"	321	412	505	596	690	734	786	798	907	1029	1136	1235	1327	1436	1547	1653	1692	21
108"	342	431	535	639	738	786	845	859	975	1106	1221	1326	1429	1545	1664	1779	1819	22
120"	345	455	569	681	791	842	903	916	1041	1180	1303	1418	1529	1654	1781	1904	1945	23
132"	362	480	602	720	840	894	962	977	1107	1255	1388	1511	1628	1761	1896	2031	2074	24
144"	380	504	635	761	890	947	1020	1036	1175	1329	1470	1602	1727	1871	2015	2155	2201	26
Dust Cover Valance	41	51	66	76	91	97	108	112	119	132	146	159	174	186	200	215	218	0
Laserlite Single	112	122	148	179	208	221	236	239	264	292	321	349	378	408	434	464	469	0
Double	175	197	244	294	342	365	391	396	438	490	536	586	633	683	731	782	793	0

Group D																		Single Vanes
WIDTH TO:	25"	38"	50"	63"	75"	78"	85"	88"	100"	113"	125"	138"	150"	163"	175"	188"	191"	
48"	278	345	418	483	550	586	621	624	689	754	821	893	957	1016	1086	1151	1169	17
60"	290	363	439	517	593	631	673	676	748	825	899	981	1054	1122	1200	1276	1295	19
72"	307	392	482	565	651	692	742	745	853	967	1051	1167	1240	1327	1430	1527	1563	20
84"	325	421	521	614	712	758	810	817	932	1054	1149	1263	1358	1458	1568	1677	1713	21
96"	336	441	549	656	759	808	871	912	1005	1137	1255	1367	1471	1590	1712	1834	1874	23
108"	355	472	589	704	821	874	940	954	1084	1226	1355	1476	1591	1720	1854	1983	2026	24
120"	375	499	630	755	878	935	1009	1025	1162	1316	1455	1584	1709	1848	1992	2131	2176	26
132"	393	529	669	804	938	999	1080	1094	1241	1405	1553	1693	1828	1978	2130	2280	2327	27
144"	414	560	707	854	998	1062	1149	1165	1321	1493	1621	1802	1946	2107	2270	2429	2479	29
Dust Cover Valance	45	56	72	83	100	107	118	123	131	145	161	175	192	204	220	236	240	0
Laserlite Single	123	134	163	197	228	242	260	263	291	321	352	384	416	449	478	510	517	0
Double	193	216	268	323	376	401	430	436	482	538	590	645	696	752	805	860	869	0

Group E																		Single Vanes
WIDTH TO:	25"	38"	50"	63"	75"	78"	85"	88"	100"	113"	125"	138"	150"	163"	175"	188"	191"	
48"	288	368	451	529	603	642	686	690	762	840	917	998	1075	1153	1233	1311	1330	19
60"	305	391	481	565	650	691	738	742	823	908	991	1081	1166	1251	1338	1424	1444	21
72"	321	414	509	602	694	739	792	824	902	1027	1129	1226	1316	1422	1529	1635	1670	23
84"	335	436	538	640	738	786	840	873	960	1091	1205	1307	1407	1519	1635	1746	1785	25
96"	351	459	569	677	784	834	896	907	1022	1162	1282	1394	1501	1620	1746	1866	1905	27
108"	365	482	599	716	828	881	948	960	1081	1229	1357	1477	1590	1719	1849	1978	2021	31
120"	382	504	631	753	874	931	1000	1013	1143	1297	1433	1558	1680	1815	1955	2090	2134	34
132"	397	527	660	788	920	979	1053	1066	1202	1364	1506	1652	1770	1956	2102	2293	2293	36
144"	426	562	704	841	977	1040	1119	1132	1275	1446	1596	1737	1874	2023	2178	2329	2375	38
Dust Cover Valance	49	61	78	91	110	118	130	135	144	160	177	193	211	225	243	260	267	0
Laserlite Single	135	148	180	216	251	267	286	288	319	354	387	422	456	494	525	561	569	0
Double	213	238	295	355	414	441	473	478	529	592	649	709	766	827	885	946	959	0

### VERTICAL TRACK OPTIONS

Vertical Headrail Net Cost: .80¢ per inch

**Butted Blinds** – The vertical track system can be mounted with two headrails butted together end to end. This procedure would be used when the area to be covered exceeds 16" in width. The controls for rotation and traversal would remain independent with each headrail; however, there would be no light gap between the blinds when they are completely closed.

Horseshoe Hooks for slanted tracks \$35.00  
Dealer Net Cost per blind



**Cut-Outs** – Any blind can be ordered for cut-out installations (around air condition-ers, heat registers, or other obstructions). Be sure to provide a drawing with the exact width and length to be cut out.  
Surcharge: \$40.00 (Net Dealer Cost).



**Wand Control** -Vane rotation is achieved by a clear plastic wand. Available on one way draw only.



### S Shaped Vertical Slats

### Valance Specification

Standard Return Size on an outside mount valance: 6".

We do not send corners and returns for inside mount verticals unless requested at time of order.

**Laserlite Valance Trim Colors:** Gold, Black Satin, Chrome, Dark Walnut, Light Oak, Silk and White

# 3 1/2" Fabric Verticals

Group 1																		Single Vanes
WIDTH TO:	25"	38"	50"	63"	75"	78"	85"	88"	100"	113"	125"	138"	150"	163"	175"	188"	191"	
48"	226	281	340	396	452	481	509	512	564	621	674	734	790	844	902	958	973	13
60"	242	304	368	426	483	515	525	570	602	660	717	779	837	895	956	1013	1029	15
72"	252	314	379	438	498	530	542	563	623	686	743	809	868	928	994	1053	1068	16
84"	260	319	388	452	514	548	561	582	643	708	770	838	902	963	1030	1095	1111	17
96"	264	330	400	465	530	565	581	601	665	731	805	867	932	999	1066	1133	1150	19
108"	269	338	409	480	546	581	597	619	687	754	824	898	965	1033	1106	1173	1190	20
120"	276	345	419	491	561	597	616	637	708	808	849	926	996	1068	1141	1233	1299	21
132"	279	353	431	504	579	616	634	656	728	847	890	976	1051	1125	1201	1250	1272	22
144"	286	362	439	518	594	632	651	674	750	858	926	1014	1090	1187	1308	1339	1391	24
Dust Cover Valance	37	46	60	69	83	89	97	101	108	121	134	145	158	169	182	195	198	
Laserlite Single	101	112	135	162	189	201	215	217	240	265	291	317	343	371	395	422	428	
Double	159	179	221	267	310	330	355	360	398	445	487	533	576	622	664	711	720	

Group 2																		Single Vanes
WIDTH TO:	25"	38"	50"	63"	75"	78"	85"	88"	100"	113"	125"	138"	150"	163"	175"	188"	191"	
48"	269	338	407	474	544	579	615	618	682	753	820	894	961	1030	1102	1171	1188	15
60"	287	365	443	518	592	630	673	674	746	820	894	974	1046	1120	1198	1275	1293	17
72"	301	381	465	544	641	682	707	711	806	918	1012	1096	1175	1242	1365	1458	1491	18
84"	310	398	483	570	673	717	743	746	847	967	1064	1154	1237	1322	1436	1535	1569	19
96"	321	412	505	596	690	734	786	798	907	1029	1136	1235	1327	1436	1547	1653	1692	21
108"	342	431	535	639	738	786	845	859	975	1106	1221	1326	1429	1545	1664	1779	1819	22
120"	345	455	569	681	791	842	903	916	1041	1180	1303	1418	1529	1654	1781	1904	1945	23
132"	362	480	602	720	840	894	962	977	1107	1255	1388	1511	1628	1761	1896	2031	2074	24
144"	380	504	635	761	890	947	1020	1036	1175	1329	1470	1602	1727	1871	2015	2155	2201	26
Dust Cover Valance	41	51	66	76	91	97	108	112	119	132	146	159	174	186	200	215	218	0
Laserlite Single	112	122	148	179	208	221	236	239	264	292	321	349	378	408	434	464	469	0
Double	175	197	244	294	342	365	391	396	438	490	536	586	633	683	731	782	793	0

Group 3																		Single Vanes
WIDTH TO:	25"	38"	50"	63"	75"	78"	85"	88"	100"	113"	125"	138"	150"	163"	175"	188"	191"	
48"	279	345	418	483	550	586	621	624	689	754	821	893	957	1016	1086	1151	1169	17
60"	290	363	439	517	593	631	673	676	748	825	899	981	1054	1122	1200	1276	1295	19
72"	307	392	482	565	651	692	742	745	853	967	1051	1167	1240	1327	1430	1527	1662	20
84"	325	421	521	614	712	758	811	817	932	1054	1149	1263	1358	1458	1568	1677	1713	21
96"	336	441	549	656	759	808	871	884	1005	1137	1255	1367	1471	1590	1712	1834	1874	23
108"	355	472	589	704	821	874	940	954	1084	1226	1355	1476	1591	1720	1854	1983	2026	24
120"	375	499	630	755	878	935	1009	1025	1162	1316	1455	1584	1709	1848	1992	2131	2176	26
132"	393	529	669	804	938	999	1080	1094	1241	1405	1553	1693	1828	1978	2130	2280	2327	27
144"	413	560	707	854	998	1062	1149	1165	1321	1493	1650	1802	1946	2107	2270	2429	2479	29
Dust Cover Valance	45	56	72	83	100	107	118	123	131	145	161	175	192	204	220	236	240	0
Laserlite Single	123	134	163	197	228	242	260	263	291	321	352	384	402	449	478	510	517	0
Double	193	216	268	323	376	401	430	436	482	538	590	645	696	752	805	860	872	0

Fabric Verticals blinds are made as free hang vanes with weights sewn into the bottom.  
 Fabric Verticals with Groover backing available. Groover Surcharge: Blind price plus 50%

Group 4																		Single Vanes
WIDTH TO:	25"	38"	50"	63"	75"	78"	85"	88"	100"	113"	125"	138"	150"	163"	175"	188"	191"	
48"	298	379	464	546	626	666	711	716	792	874	954	1042	1122	1205	1288	1369	1391	20
60"	316	406	499	589	678	722	774	777	862	951	1042	1135	1223	1315	1408	1498	1520	22
72"	331	431	533	631	729	776	832	838	948	1075	1188	1289	1388	1498	1611	1723	1758	26
84"	349	456	568	673	781	832	893	898	1016	1154	1272	1385	1489	1609	1731	1852	1889	28
96"	367	483	600	717	832	885	951	964	1086	1235	1361	1482	1597	1724	1768	1985	2028	32
108"	384	508	637	760	885	942	1013	1025	1155	1312	1446	1575	1699	1836	1976	2114	2158	35
120"	401	535	669	803	936	997	1072	1085	1223	1388	1534	1671	1804	1946	2096	2241	2289	38
132"	418	560	703	845	987	1051	1132	1146	1291	1466	1620	1765	1904	2059	2216	2370	2418	40
144"	436	585	738	890	1038	1106	1192	1207	1361	1543	1704	1859	2006	2171	2336	2499	2548	44
Dust Cover Valance	54	68	87	100	121	129	143	148	158	176	195	213	232	247	267	286	290	0
Laserlite Single	148	163	198	238	277	295	314	317	351	389	426	465	503	542	578	618	626	0
Double	234	261	325	391	455	484	520	526	583	652	713	780	843	909	974	1041	1055	0

Group 5																		Single Vanes
WIDTH TO:	25"	38"	50"	63"	75"	78"	85"	88"	100"	113"	125"	138"	150"	163"	175"	188"	191"	
48"	331	425	520	613	703	748	802	806	894	986	1077	1174	1267	1358	1455	1547	1572	21
60"	352	456	563	664	767	816	874	880	976	1078	1181	1289	1391	1493	1599	1704	1728	23
72"	374	489	605	716	829	882	947	953	1077	1220	1345	1462	1575	1699	1828	1954	1995	27
84"	395	517	643	768	891	949	1020	1025	1159	1314	1449	1578	1698	1835	1975	2109	2153	32
96"	416	549	686	819	953	1015	1089	1103	1242	1410	1555	1694	1827	1973	2124	2168	2316	35
108"	437	578	727	871	1014	1079	1163	1178	1326	1502	1659	1809	2006	2109	2270	2427	2475	39
120"	458	610	768	921	1077	1147	1237	1251	1410	1596	1764	1920	2075	2243	2414	2582	2634	43
132"	478	642	810	975	1138	1211	1307	1323	1493	1688	1866	2035	2199	2377	2560	2738	2790	47
144"	498	673	851	1028	1201	1278	1380	1398	1575	1781	1970	2151	2324	2512	2703	2891	2948	48
Dust Cover Valance	60	74	96	110	134	143	157	163	174	193	215	234	255	272	294	314	318	0
Laserlite Single	163	179	218	261	304	323	346	349	386	429	469	512	553	597	636	680	689	0
Double	257	287	356	430	500	533	572	579	641	716	785	859	927	1001	1071	1145	1160	0

Group 6																		Single Vanes
WIDTH TO:	25"	38"	50"	63"	75"	78"	85"	88"	100"	113"	125"	138"	150"	163"	175"	188"	191"	
48"	339	441	543	643	744	792	849	876	948	1050	1147	1253	1353	1454	1556	1658	1682	24
60"	365	481	595	709	821	874	938	968	1051	1165	1276	1394	1506	1619	1817	1943	1983	26
72"	391	517	646	772	896	955	1025	1060	1169	1324	1462	1593	1717	1855	1996	2133	2178	31
84"	416	557	698	837	973	1036	1116	1153	1272	1442	1591	1733	1871	2022	2176	2232	2266	35
96"	444	595	748	899	1051	1120	1205	1250	1377	1557	1721	1875	2035	2191	2359	2522	2571	39
108"	469	634	802	965	1126	1199	1295	1344	1480	1673	1852	2018	2118	2359	2539	2713	2766	43
120"	495	672	853	1029	1205	1282	1385	1437	1581	1789	1978	2158	2336	2524	2718	2906	2963	48
132"	520	711	902	1094	1282	1365	1476	1531	1684	1904	2105	2299	2489	2690	2598	3097	3158	52
144"	545	748	954	1156	1359	1447	1564	1624	1786	2019	2234	2440	2642	2856	3074	3289	3352	56
Dust Cover Valance	66	82	105	121	147	157	173	180	192	213	236	257	281	299	322	346	350	0
Laserlite Single	180	197	240	287	334	356	380	384	425	472	516	562	608	656	699	747	757	0
Double	282	316	392	473	550	586	630	638	705	788	864	944	1020	1100	1178	1259	1276	0

Fabric Verticals blinds are made as free hang vanes with weights sewn into the bottom.  
 Fabric Verticals with Groover backing available. Groover Surcharge: Blind price plus 50%

## 2" PVC Verticals



Group A2	<b><i>Curved, Standard II</i></b>																	
WIDTH TO:	25"	38"	50"	63"	75"	78"	85"	88"	100"	113"	125"	138"	150"	163"	175"	188"	191"	Single Vanes
48"	293	358	422	488	548	583	615	618	678	739	800	866	928	989	1055	1118	1133	18
60"	307	378	448	519	585	623	658	660	725	794	860	933	1000	1070	1142	1209	1224	19
72"	321	394	475	548	624	664	700	704	809	921	1009	1089	1164	1255	1352	1445	1479	22
84"	333	413	498	579	658	701	743	748	854	976	1073	1157	1239	1334	1437	1531	1571	24
96"	346	431	524	610	694	739	788	800	910	1034	1139	1230	1315	1421	1530	1636	1676	25
108"	358	448	548	640	734	782	830	842	958	1089	1200	1297	1388	1500	1616	1727	1768	27
120"	370	469	573	670	767	817	875	886	1007	1143	1258	1366	1463	1577	1701	1816	1862	28
132"	381	487	598	700	804	856	915	930	1057	1200	1321	1431	1534	1660	1786	1910	1953	30
144"	392	504	622	734	842	896	958	973	1106	1254	1382	1498	1607	1739	1870	2001	2046	31
Dust Cover Valance	51	63	81	94	113	121	133	139	148	164	182	198	216	230	248	266	270	0
Laserlite Single	139	183	222	269	312	332	353	358	396	439	480	524	568	612	650	705	704	0
Double	218	296	366	441	514	547	587	594	656	735	804	879	949	1025	1097	1173	1189	0

Group D2	<b><i>Fresno, Madiera, Hampton, Natural Weave, Rustic, Wildwood</i></b>																	
WIDTH TO:	25"	38"	50"	63"	75"	78"	85"	88"	100"	113"	125"	138"	150"	163"	175"	188"	191"	Single Vanes
48"	418	518	627	725	825	879	931	936	1033	1131	1231	1339	1436	1524	1630	1727	1754	25
60"	434	545	660	776	889	947	1009	1013	1122	1237	1349	1471	1580	1683	1800	1915	1943	28
72"	460	588	722	848	976	1039	1113	1118	1279	1451	1577	1751	1859	1991	2145	2291	2344	30
84"	488	631	782	921	1069	1138	1215	1225	1398	1580	1724	1894	2037	2186	2352	2516	2570	31
96"	504	661	824	983	1139	1212	1306	1368	1507	1706	1882	2051	2206	2385	2568	2750	2810	34
108"	533	707	883	1057	1231	1311	1410	1431	1625	1839	2033	2215	2386	2580	2780	2974	3038	36
120"	563	749	945	1133	1318	1403	1513	1537	1743	1974	2183	2376	2564	2771	2988	3197	3264	39
132"	589	794	1003	1206	1407	1498	1619	1642	1861	2107	2330	2540	2741	2967	3195	3420	3491	40
144"	621	840	1061	1280	1497	1594	1724	1748	1982	2240	2431	2703	2919	3161	3406	3643	3719	43
Dust Cover Valance	67	84	107	124	151	160	178	185	197	218	242	263	288	306	330	354	360	0
Laserlite Single	185	201	245	295	342	364	390	394	436	482	528	576	624	673	716	766	776	0
Double	290	324	401	485	564	601	645	654	722	807	885	967	1045	1128	1207	1289	1304	0



Group 1	<i>Curved PVC, Standard II</i>																			
WIDTH TO:	23"	26"	29"	32"	36"	40"	44"	48"	52"	57"	62"	67"	72"	82"	92"	98"	108"	112"	116"	120"
42"	183	196	207	224	249	269	292	314	334	378	398	426	452	508	561	592	643	669	695	721
48"	196	210	232	243	276	297	316	341	358	414	443	463	500	561	614	651	709	737	766	794
54"	207	232	249	269	301	326	349	366	394	447	479	508	540	614	673	711	774	805	837	868
60"	279	243	260	284	316	349	376	401	430	479	515	547	585	658	725	767	836	870	904	938
66"	243	264	284	308	344	372	394	430	455	515	547	589	628	706	784	823	896	933	969	1006
72"	260	279	305	311	366	394	430	455	520	547	596	632	673	758	836	895	977	1018	1059	1099
78"	269	297	316	349	385	426	455	491	556	585	628	673	709	807	893	945	1030	1072	1115	1157
84"	292	312	338	366	414	447	474	515	585	621	669	709	758	855	946	1001	1091	1135	1180	1225
90"	305	330	358	385	433	479	510	547	613	654	706	752	798	905	1003	1059	1154	1201	1249	1297
96"	316	349	382	410	455	499	539	581	654	694	746	791	844	953	1054	1118	1218	1268	1318	1368
102"	334	357	396	427	479	526	563	607	692	725	783	833	886	1003	1112	1178	1284	1337	1390	1443
108"	349	374	415	447	501	552	590	637	729	760	821	874	929	1053	1167	1236	1348	1404	1459	1515
114"	365	390	434	468	524	577	617	666	765	794	859	915	973	1102	1222	1295	1411	1470	1528	1587
120"	380	407	452	488	547	602	644	696	802	829	898	956	1015	1151	1277	1353	1475	1537	1597	1658

Group 3	<i>Fresno, Madiera, Hampton, Natural Weave, Rustic, Wildwood</i>																			
WIDTH TO:	23"	26"	29"	32"	36"	40"	44"	48"	52"	57"	62"	67"	72"	82"	92"	98"	108"	112"	116"	120"
42"	216	230	243	264	293	316	343	370	392	445	469	501	532	598	659	696	757	788	818	849
48"	230	247	273	286	325	349	372	401	421	487	522	544	589	659	723	766	833	867	901	935
54"	243	273	293	316	354	383	410	431	464	526	563	598	636	723	792	837	911	948	984	1022
60"	268	286	306	334	372	410	442	472	506	563	606	643	688	774	854	903	983	1024	1064	1104
66"	286	310	334	363	405	438	464	506	535	606	643	693	738	831	922	968	1054	1097	1140	1183
72"	306	329	359	366	431	464	506	535	611	643	701	743	792	892	984	1053	1149	1197	1245	1293
78"	316	349	372	410	454	501	535	578	655	688	738	792	835	950	1050	1112	1212	1262	1311	1361
84"	343	367	397	431	487	526	557	606	688	731	788	835	892	1006	1113	1178	1284	1336	1389	1441
90"	359	388	421	454	509	563	601	643	721	769	831	885	939	1065	1180	1246	1358	1414	1470	1525
96"	372	410	450	483	535	587	634	683	769	816	878	930	993	1121	1240	1315	1433	1491	1550	1609
102"	393	420	466	502	563	619	662	714	814	853	921	980	1042	1180	1308	1386	1511	1573	1635	1698
108"	411	440	488	526	590	649	694	749	857	894	966	1028	1093	1238	1373	1455	1586	1651	1716	1782
114"	429	460	510	550	616	679	726	784	900	935	1011	1076	1144	1296	1437	1524	1661	1729	1798	1867
120"	447	480	532	574	643	709	758	819	944	975	1056	1124	1195	1354	1502	1592	1736	1808	1879	1951

## Vertical Blind Specifications

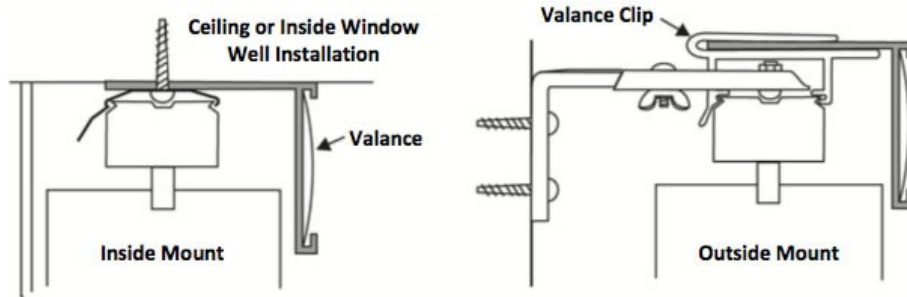
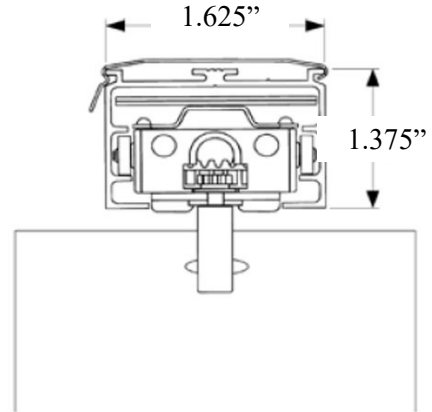
Inside Mount Deductions: Ordered Width Less 1/4"  
 Ordered Length Less: 1/2"

Mounting Depth for 3 1/2" Vertical  
 Inside Mount: Minimum mounting depth required: 3"  
 Flush mounting depth required 4 1/2"  
 Outside Mount: 2" flat surface

Mounting Depth for 2" Vertical  
 Inside Mount: Minimum mounting depth required: 2"  
 Flush mounting depth required: 3 1/2"  
 Outside Mount: 2" flat surface

Light gap - There will be a .25" gap on the control end,  
 From the end of the headrail to the edge of the 1st vane

Headrails are white.



ONE WAY DRAW*			*VANE COUNT AND STACKING CHART											
BLIND WIDTH IN INCHES	NO. OF VANES	APPROX. STACK SPACE INCHES	BLIND WIDTH IN INCHES	NO. OF VANES	APPROX. STACK SPACE INCHES	BLIND WIDTH IN INCHES	NO. OF VANES	APPROX. STACK SPACE INCHES	BLIND WIDTH IN INCHES	NO. OF VANES	APPROX. STACK SPACE INCHES	BLIND WIDTH IN INCHES	NO. OF VANES	APPROX. STACK SPACE INCHES
16	5	4	52	17	9-1/4	88	29	14-1/2	124	40	19-3/8	160	52	24-5/8
18	6	4-1/2	54	18	9-3/4	90	29	14-1/2	126	41	19-3/4	162	52	24-5/8
20	7	4-7/8	56	18	9-3/4	92	30	15	128	41	19-3/4	164	53	25-1/2
22	7	4-7/8	58	19	10-1/8	94	31	15-3/8	130	42	20-1/4	166	53	25-1/2
24	8	5-3/8	60	20	10-5/8	96	31	15-3/8	132	43	20-5/8	168	44	26
26	9	5-3/4	62	20	10-5/8	98	32	15-7/8	134	43	20-5/8	170	55	26-1/2
28	10	6-1/4	64	21	11	100	33	16-1/4	136	44	21-1/8	172	55	27
30	10	6-1/4	66	22	11-1/2	102	33	16-1/4	138	45	21-1/2	174	56	27
32	11	6-5/8	68	22	11-1/2	104	34	16-3/4	140	45	21-1/2	176	57	27-1/2
34	11	6-5/8	70	23	11-7/8	106	34	16-3/4	142	46	22	178	57	27-1/2
36	12	7-1/8	72	24	12-3/8	108	35	17-1/8	144	47	22-3/8	180	58	28
38	13	7-1/2	74	24	12-3/8	110	36	17-5/8	146	47	22-3/8	182	59	28
40	13	7-1/2	76	25	12-3/4	112	36	17-5/4	148	48	22-7/8	184	59	28-1/2
42	14	8	78	25	12-3/4	114	37	18	150	48	22-7/8	186	60	29
44	15	8-3/8	80	26	13-1/4	116	38	18-1/2	152	49	23-1/4	188	61	29
46	15	8-3/8	82	27	13-5/8	118	38	18-1/2	154	50	23-3/4	190	61	29-1/2
48	16	8-7/8	84	27	13-5/8	120	39	18-7/8	156	50	23-3/4	192	62	29-1/2
50	16	8-7/8	86	28	14-1/8	122	39	18-7/8	158	51	24	194	62	30

\* Chart gives a close approximations.

**Warranty**—Headrails carry a 5 year Limited Warranty against defects in materials and workmanship. All vertical vanes carry a 3 year limited warranty against defects in materials and workmanship. These warranties apply to residential use. Normal wear and tear is not considered a warranty issue.

## 2" and 3 1/2" VERTICAL BLIND ORDER FORM

DATE \_\_\_\_\_ P.O. NO. \_\_\_\_\_  
SIDEMARK \_\_\_\_\_

ORDER#	
CUSTOMER P.O. #	
PAGE ____ OF ____	

CHARGE TO:
NAME
ADDRESS
CITY
STATE
ZIP

SHIP TO:
PHONE (     )     -

SPECIAL INSTRUCTIONS:

LINE	QTY	IB/ OB/Side	WIDTH	LENGTH	CONTROL			Wand? Yor N	FABRIC INFORMATION		FH or INS?	Crowning Impressions Valance		OPTIONS, IF ANY
					Center	Side Stack	Opposite Stack		COLOR NAME	COLOR #		Color #	Color Name	
1														
2														
3														
4														
5														
6														
7														

**PLEASE FAX ORDERS TO OXFORD HOUSE CUSTOMER SERVICE AT 1-765-884-3274**

ORDERED BY _____
------------------

For orders placed by phone, dealers will assume all responsibility.  
Custom orders cannot be canceled once they are in production.

# 2" HORIZONTAL BLIND ORDER FORM

DATE \_\_\_\_\_ P.O. NO. \_\_\_\_\_  
SIDEMARK \_\_\_\_\_

ORDER # _____
CUSTOMER P.O. # _____
PAGE _____ OF _____

CHARGE TO:
NAME _____
ADDRESS _____
CITY _____
STATE _____ ZIP _____

SHIP TO:
PHONE (    )    -

SPECIAL INSTRUCTIONS:

LINE	QTY	IB/ OB/Side	WIDTH	LENGTH	CONTROL		Wand? Yor N	FABRIC INFORMATION		Hold- downs	OPTIONS, IF ANY
					Tilt	Lift		COLOR NAME	COLOR #		
1											
2											
3											
4											
5											
6											
7											

PLEASE FAX ORDERS TO OXFORD HOUSE CUSTOMER SERVICE AT 1-765-884-3274

ORDERED BY _____
------------------

For orders placed by phone, dealers will assume all responsibility.  
Custom orders cannot be canceled once they are in production.

# 2" HORIZONTAL BLIND ORDER FORM

DATE \_\_\_\_\_ P.O. NO. \_\_\_\_\_  
 SIDEMARK \_\_\_\_\_

ORDER #
CUSTOMER P.O. #
PAGE ____ OF ____

CHARGE TO:

NAME \_\_\_\_\_

ADDRESS \_\_\_\_\_

CITY \_\_\_\_\_

STATE \_\_\_\_\_ ZIP \_\_\_\_\_

SHIP TO:

PHONE ( ) - -

SPECIAL INSTRUCTIONS:

\_\_\_\_\_

\_\_\_\_\_

\_\_\_\_\_

\_\_\_\_\_

\_\_\_\_\_

\_\_\_\_\_

\_\_\_\_\_

LINE	QTY	IB/ OB/Side	WIDTH	LENGTH	CONTROL		Wand? Yor N	FABRIC INFORMATION		Hold- downs	OPTIONS, IF ANY
					Tilt	Lift		COLOR NAME	COLOR #		
1											
2											
3											
4											
5											
6											
7											

PLEASE FAX ORDERS TO OXFORD HOUSE CUSTOMER SERVICE AT 1-765-884-3274

ORDERED BY \_\_\_\_\_

For orders placed by phone, dealers will assume all responsibility.  
 Custom orders cannot be canceled once they are in production.